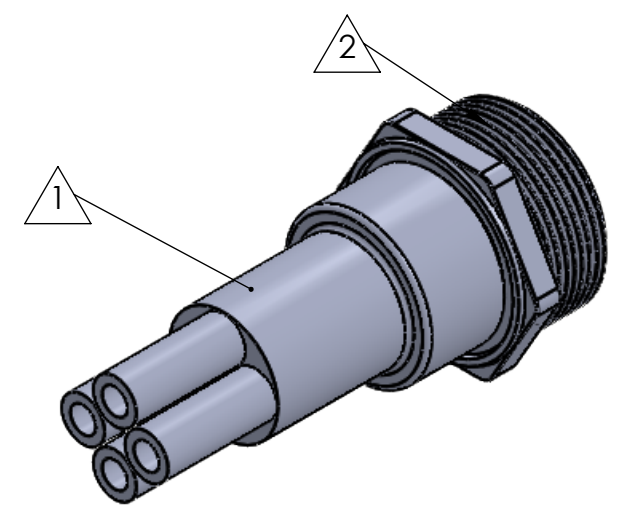


SECTION A-A
SCALE 1 : 1.5



ITEM	PART DESCRIPTION	PART NO.	MATERIAL	Nu-Tech	
①	Heat-shrinkable boot	NUBB4-3	HS 3123		
②	Body	P-4B	Nylon	DIMENSIONS ARE IN INCHES TOLERANCES: FRACTIONAL ±1/32 THREE PLACE DECIMAL ± 0.030	
③	O-ring		Buna	DWG. NO. PRP:"SW-Title"	
④	Nut		Nylon	WEIGHT: SW-Mass@par19.SLDPRT REV	
⑤	Adhesive	A-010	Hotmelt ADH	DO NOT SCALE DRAWING	
⑥				By: Keven	DATE: 6/1/2021
				SCALE: 1:2	SHEET 1 OF 1