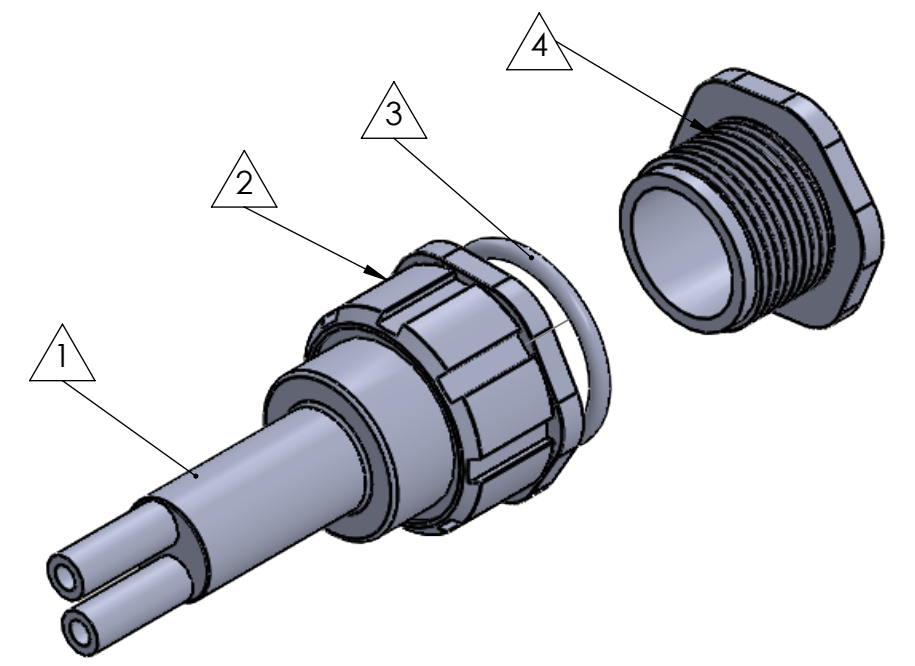
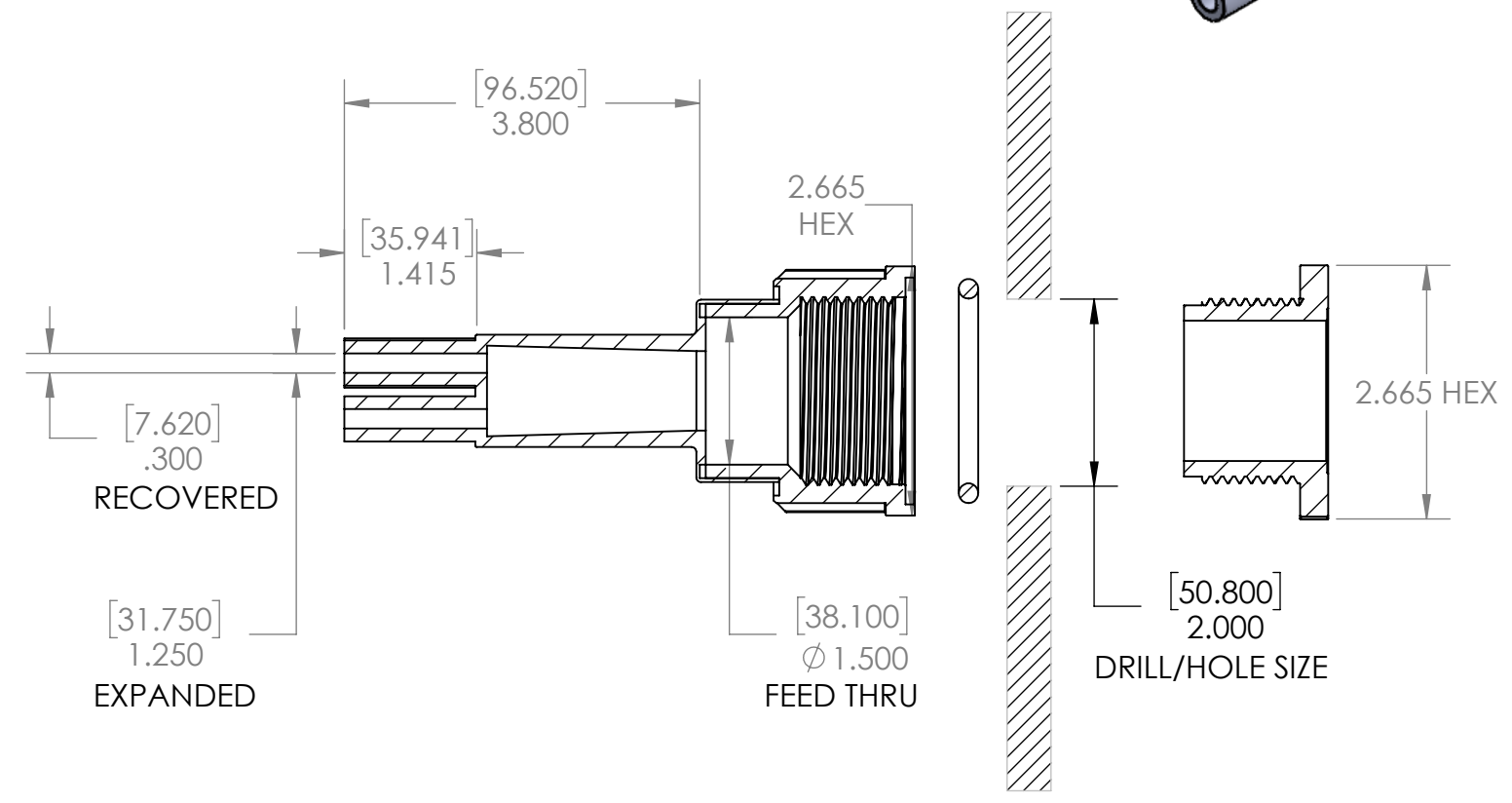
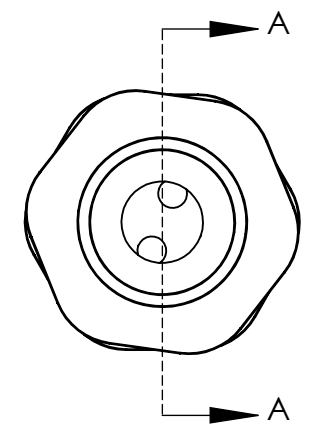


8 7 6 5 4 3 2 1

D  
C  
B  
A

D  
C  
B  
A



ITEM	PART DESCRIPTION	PART NO.	MATERIAL	<b>Nu-Tech</b>	
①	Heat-shrinkable boot	NUBB2-4	HS 3123		
②	Body	S-4B	Nylon	DWG. NO. PRP:"SW-Title"	
③	O-ring	S-4OR	Buna	WEIGHT: SW-Mass@par19.SLDPRT REV	
④	Nut	S-4N	Nylon	SCALE: 1:4 SHEET 1 OF 1	
⑤	Adhesive	A-010	Hotmelt ADH	DATE: 5/28/2021	
⑥				By: Keven	

8 7 6 5 4 3 2 1

UNLESS OTHERWISE SPECIFIED:  
 DIMENSIONS ARE IN INCHES  
 TOLERANCES:  
 FRACTIONAL ±1/32  
 THREE PLACE DECIMAL ± 0.030  
 DO NOT SCALE DRAWING