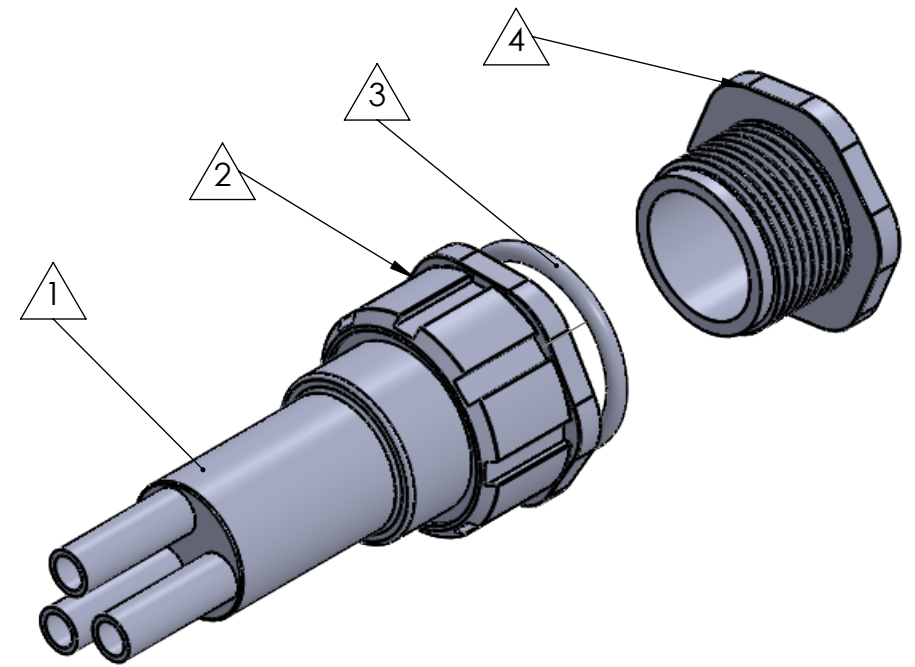
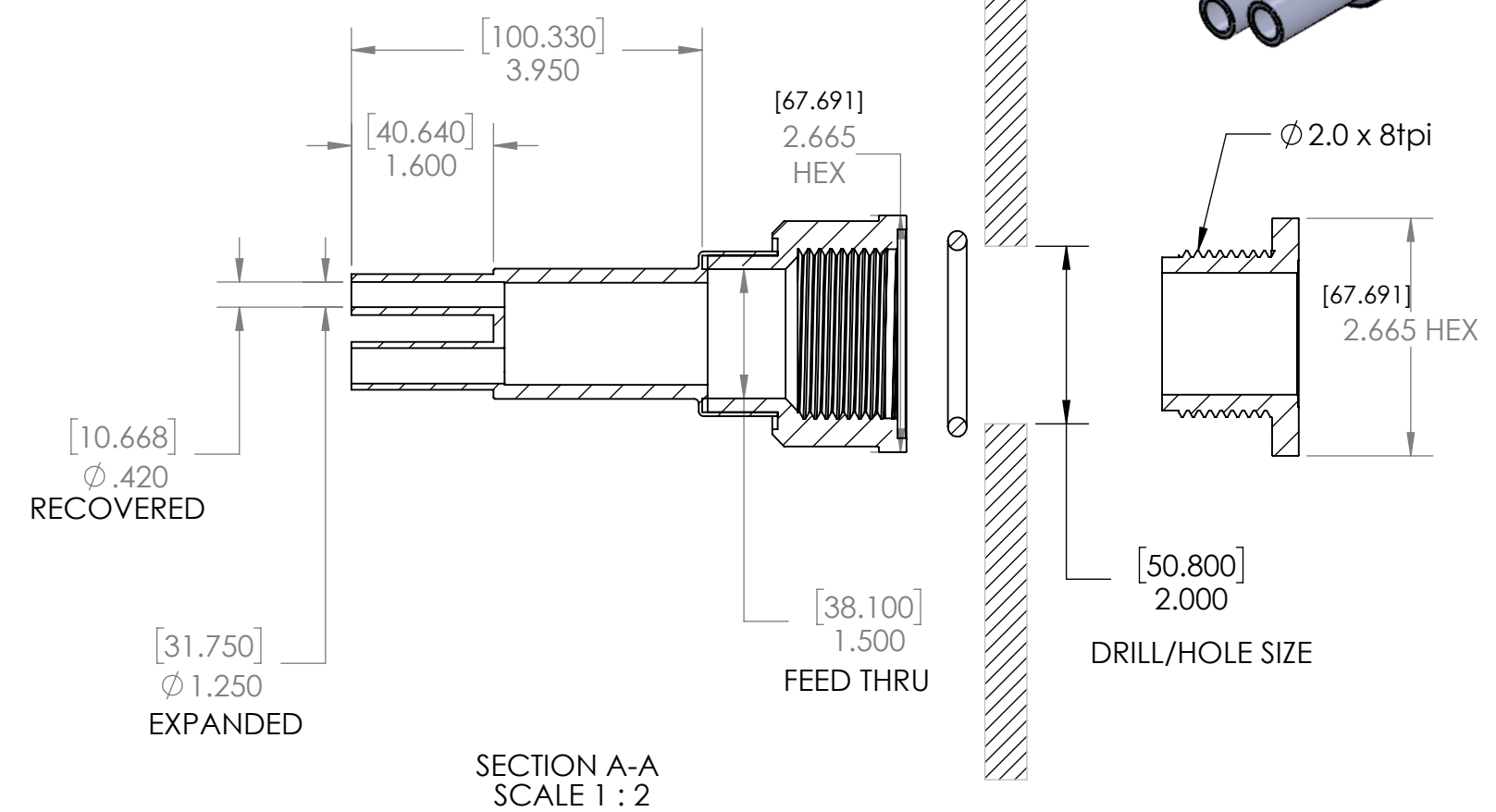
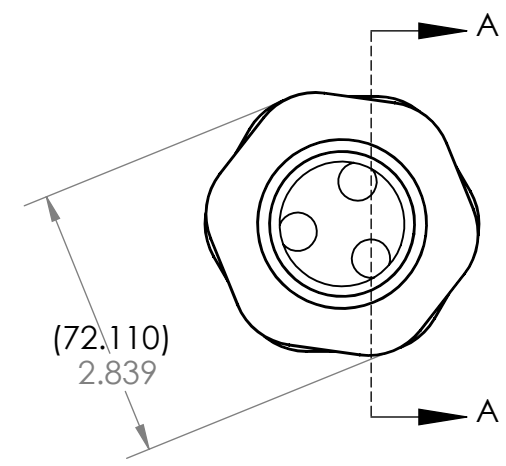


8 7 6 5 4 3 2 1

D
C
B
A



ITEM	PART DESCRIPTION	PART NO.	MATERIAL
①	Heat-shrinkable boot	NUBB3-4	HS 3123
②	Body	S-4B	Nylon
③	O-ring	S-4OR	Buna
④	Nut	S-4N	Nylon
⑤	Adhesive	A-010	Hotmelt ADH
⑥			

Nu-Tech

UNLESS OTHERWISE SPECIFIED:
 DIMENSIONS ARE IN INCHES
 TOLERANCES:
 FRACTIONAL ±1/32
 THREE PLACE DECIMAL ± 0.030

DO NOT SCALE DRAWING

By: Keven DATE: 5/28/2021

PART NO. **4-NUS-3D**

DWG. NO. PRP:"SW-Title"

WEIGHT: SW-Mass@par19.SLDPRT REV

SCALE: 1:4 SHEET 1 OF 1

8 7 6 5 4 3 2 1