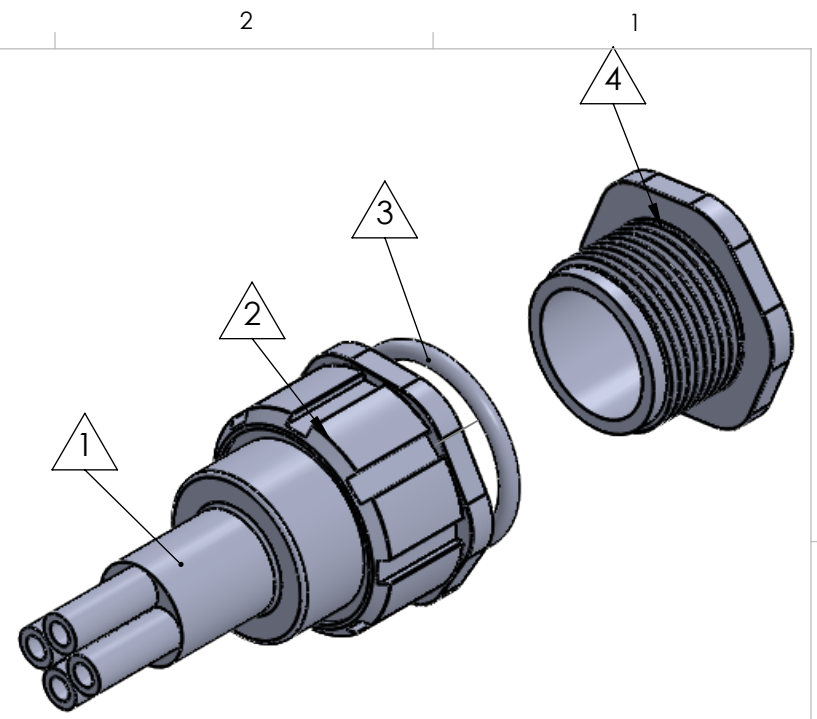
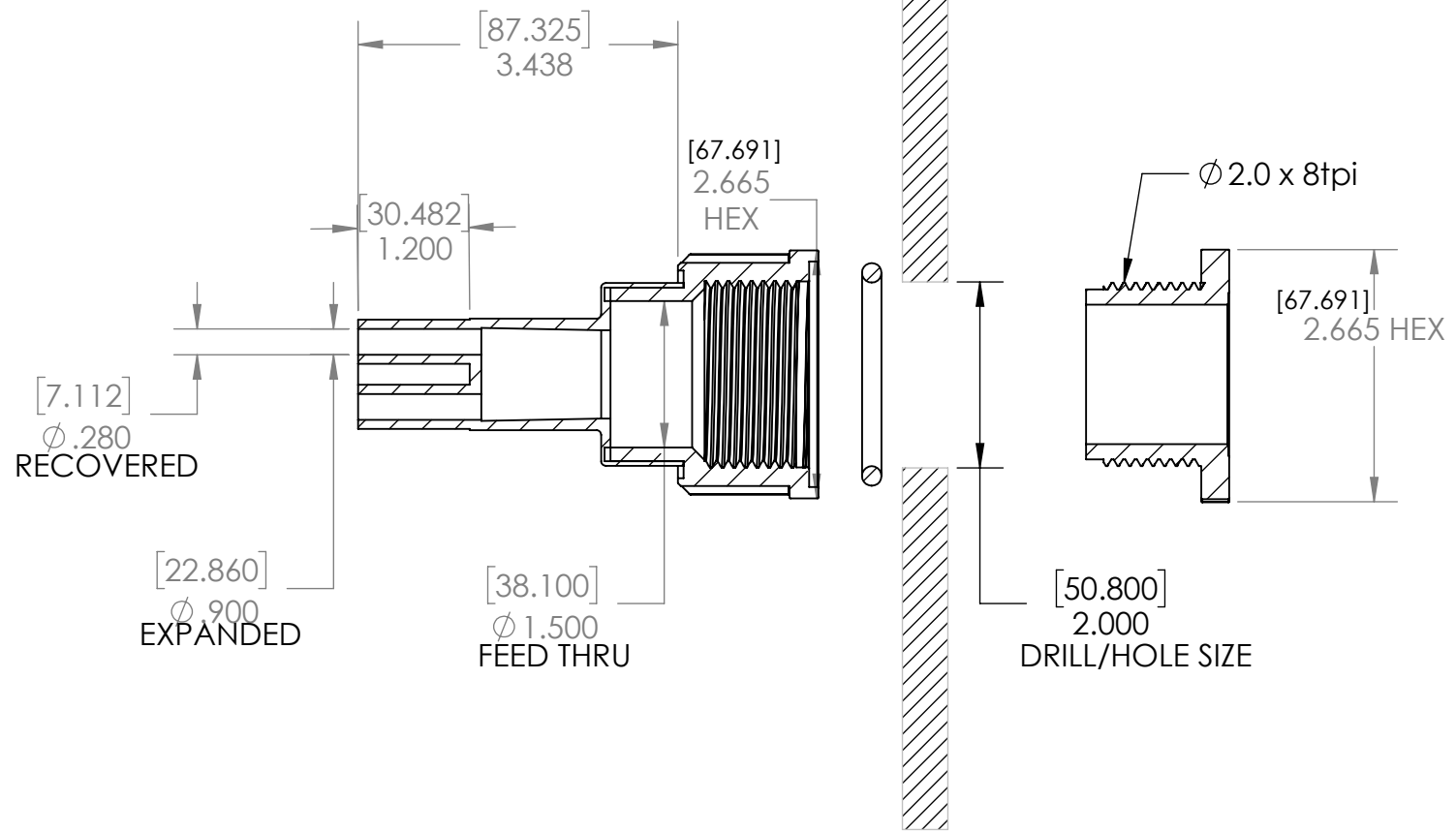


SECTION A-A  
SCALE 1:2



ITEM	PART DESCRIPTION	PART NO.	MATERIAL
①	Heat-shrinkable boot	NUBB4-3	HS 3123
②	Body	S-4N	Nylon
③	O-ring	S-4OR	Buna
④	Nut	S-4N	Nylon
⑤	Adhesive	A-010	Hotmelt ADH
⑥			

# Nu-Tech

UNLESS OTHERWISE SPECIFIED:  
DIMENSIONS ARE IN INCHES  
TOLERANCES:  
FRACTIONAL  $\pm 1/32$   
THREE PLACE DECIMAL  $\pm 0.030$

PART NO.  
**4-NUS-4C**

DWG. NO. PRP:"SW-Title"

WEIGHT: SW-Mass@par19.SLDPRT REV

DO NOT SCALE DRAWING

By: Keven

DATE: 5/28/2021

SCALE: 1:4

SHEET 1 OF 1