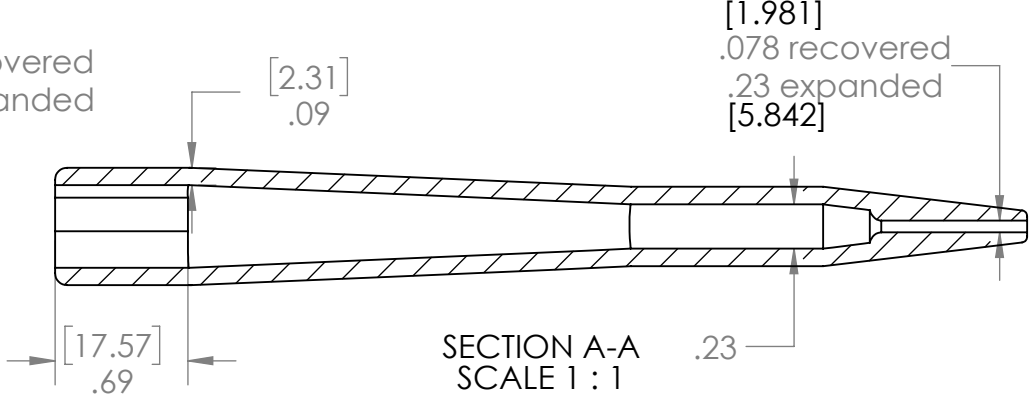
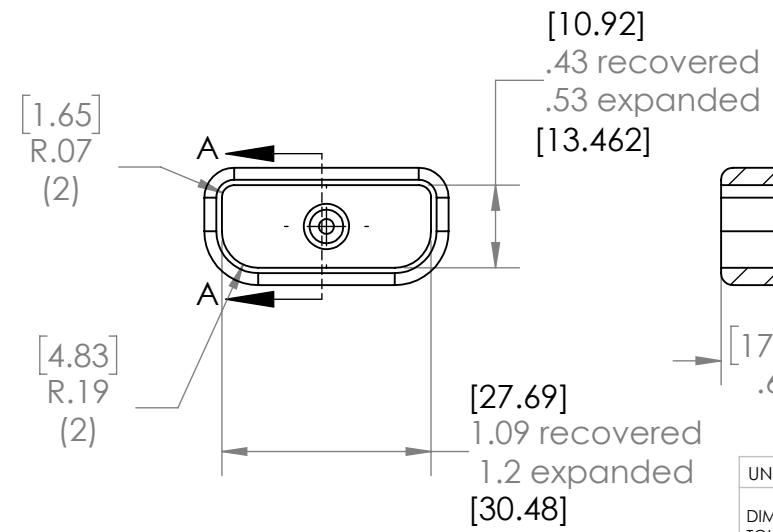
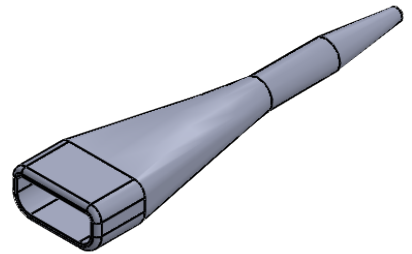
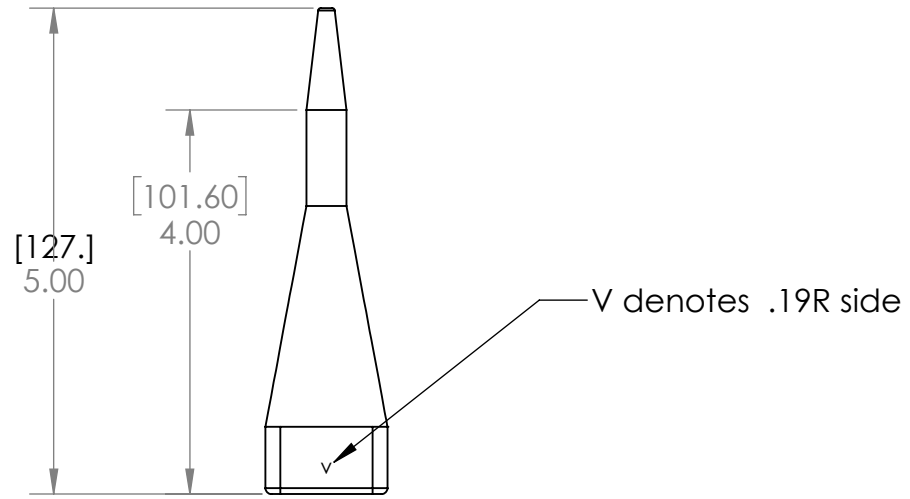


2

1

B

B



A

A

UNLESS OTHERWISE SPECIFIED:		NAME	DATE
DIMENSIONS ARE IN INCHES		DRAWN	RB 12-2019
TOLERANCES:		CHECKED	
FRACTIONAL ±		ENG APPR.	
ANGULAR: MACH ± BEND ±		MFG APPR.	
TWO PLACE DECIMAL ± .03		Q.A.	
THREE PLACE DECIMAL ± .015		COMMENTS:	
INTERPRET GEOMETRIC TOLERANCING PER:		Hot Melt ADH in recovered areas	
MATERIAL		polyolefin	
FINISH			
DO NOT SCALE DRAWING			

TITLE:		
476317F-.078		
SIZE	DWG. NO.	REV
A		

NU-TECH		
TITLE:		
476317F-.078		
SIZE	DWG. NO.	REV
A		
SCALE: 1:2		SHEET 1 OF 1

2

1