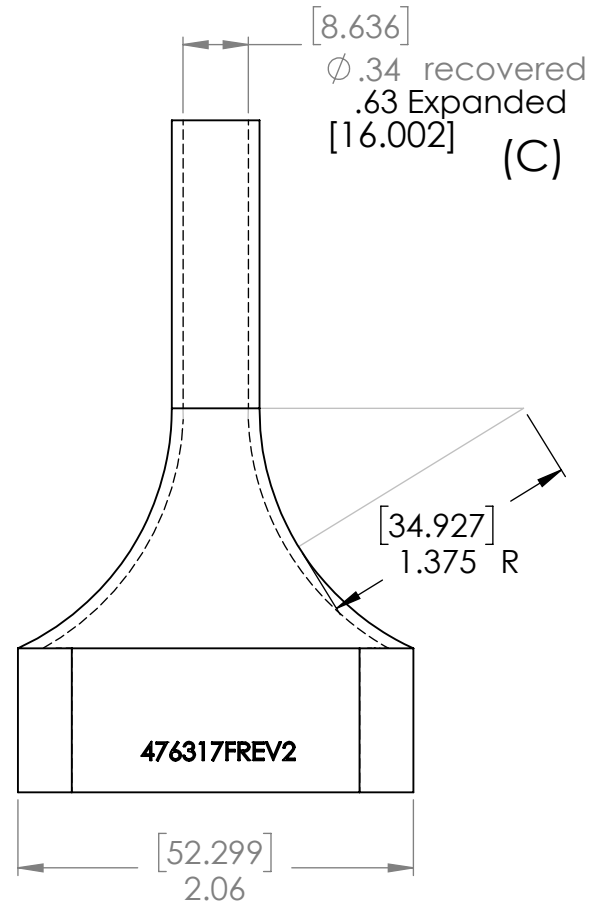
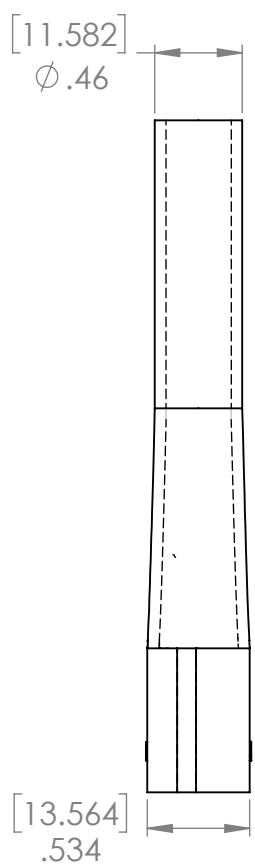
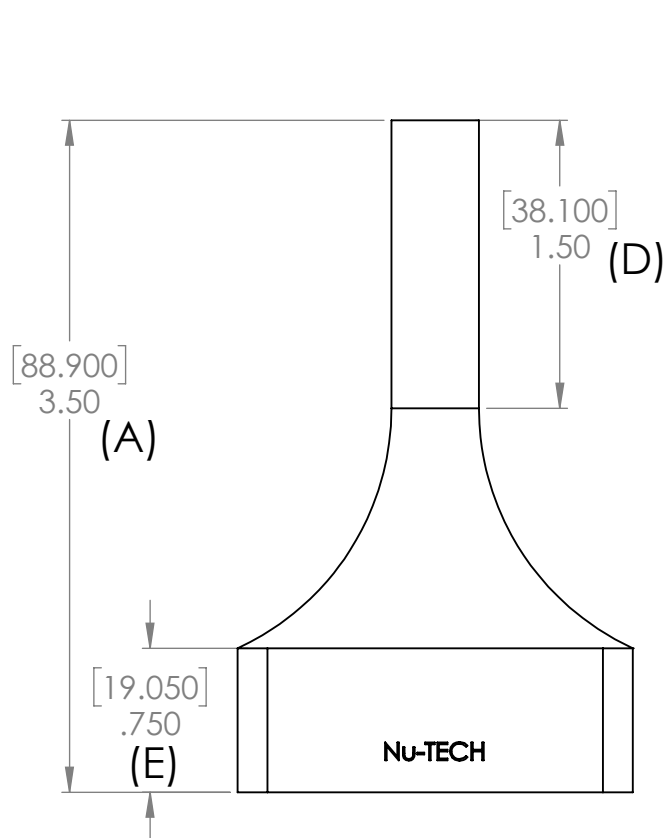


2

1

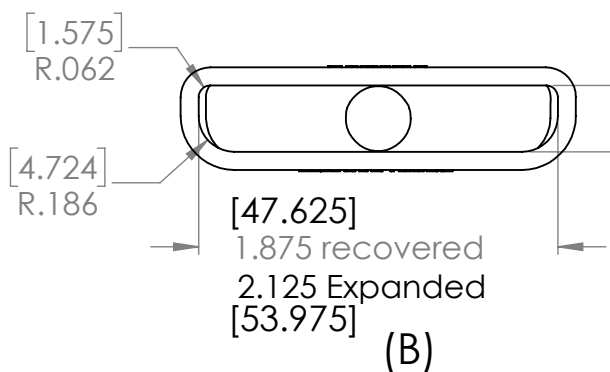
B

B



A

A



**NOTE:**  
Commonly used in conjunction with Delphi  
and Weather Pack single row connectors

	NAME	DATE
DRAWN	RB	5-10-2018
CHECKED		
ENG APPR.		
MFG APPR.		
Q.A.		

Nu-Tech	
TITLE:	
<b>476317FREV2</b>	
SIZE	DWG. NO.
	476317FREV2
REV	
<b>A</b>	
SCALE: 1:1	SHEET 1 OF 1

PART DESCRIPTION	MATERIAL
BOOT	HS 3123
Adhesive	Hotmelt : ADH

2

1