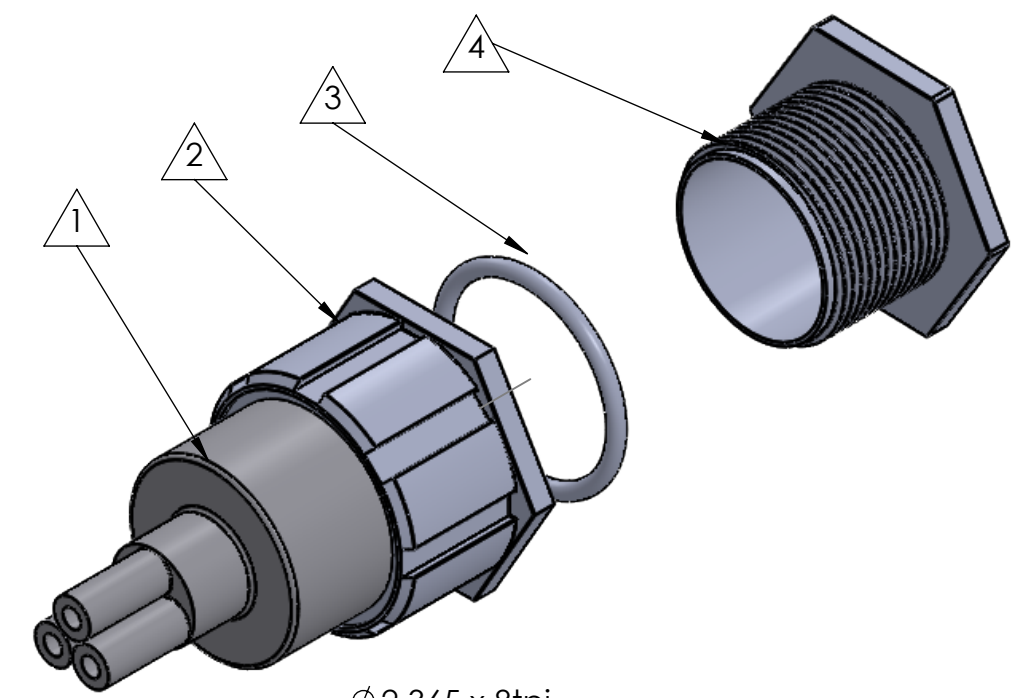


SECTION A-A  
SCALE 1 : 2



ITEM	PART DESCRIPTION	PART NO.	MATERIAL
①	Heat-shrinkable boot	NUBB3-3	HS 3123
②	Body	S-4XB	Nylon
③	O-ring	S-4XOR	Buna
④	Nut	S-4XN	Nylon
⑤	Adhesive	A-010	Hotmelt ADH
⑥			

**Nu-Tech**

UNLESS OTHERWISE SPECIFIED:  
DIMENSIONS ARE IN INCHES  
TOLERANCES:  
FRACTIONAL ±1/32  
THREE PLACE DECIMAL ± 0.030

PART NO.  
**4X-NUS-3C**

DWG. NO. PRP:"SW-Title"

WEIGHT: SW-Mass@par19.SLDPRT REV

DO NOT SCALE DRAWING

By: Keven

DATE: 5/28/2021

SCALE: 1:4

SHEET 1 OF 1