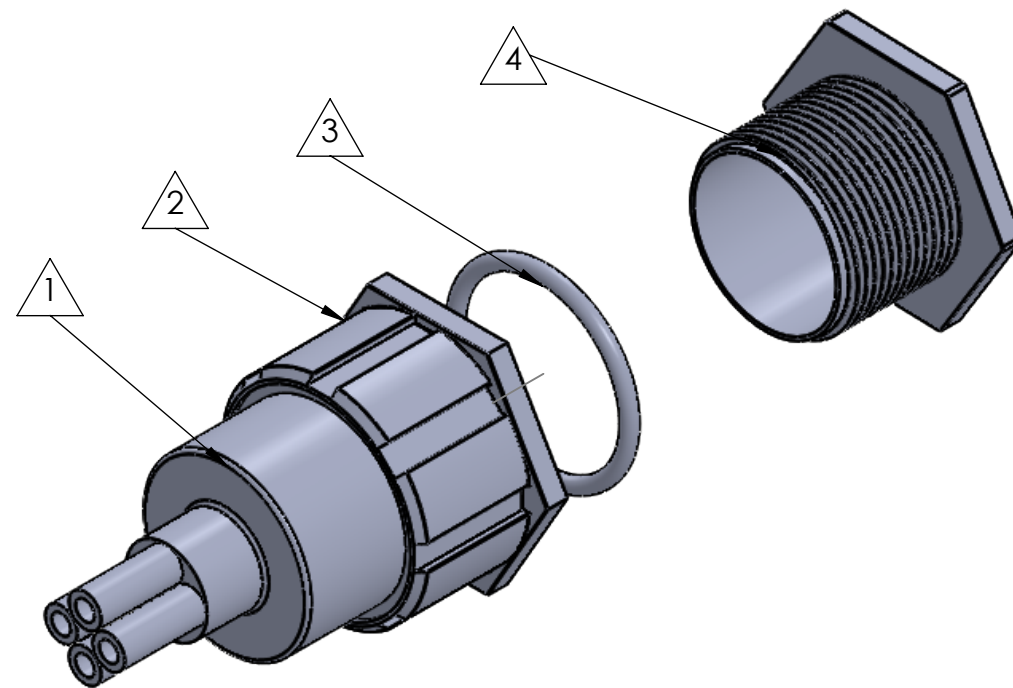
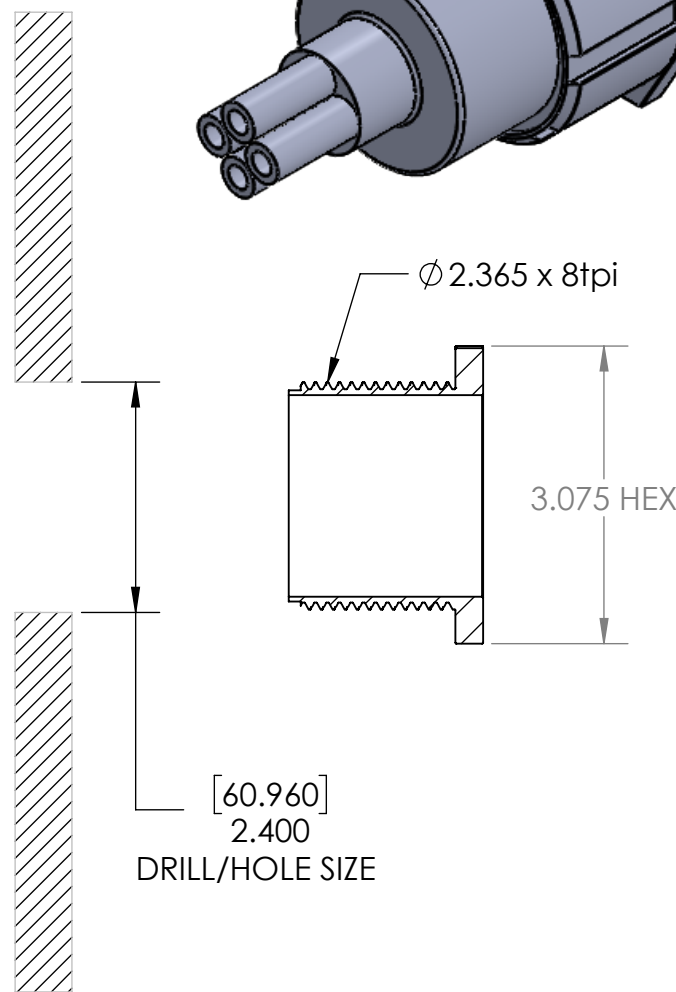


SECTION A-A
SCALE 1 : 2



ITEM	PART DESCRIPTION	PART NO.	MATERIAL
①	Heat-shrinkable boot	NUBB4-4	HS 3123
②	Body	S-4XB	Nylon
③	O-ring	S-4XOR	Buna
④	Nut	S-4XN	Nylon
⑤	Adhesive	A-010	Hotmelt ADH
⑥			

Nu-Tech

UNLESS OTHERWISE SPECIFIED:

DIMENSIONS ARE IN INCHES
TOLERANCES:
FRACTIONAL $\pm 1/32$
THREE PLACE DECIMAL ± 0.030

DO NOT SCALE DRAWING

By: Keven

DATE: 6/3/2021

PART NO.

4X-NUS-4D

DWG. NO.

PRP:"SW-Title"

WEIGHT:

SW-Mass@par19.SLDPRT

REV

SCALE:

1:4

SHEET 1 OF 1