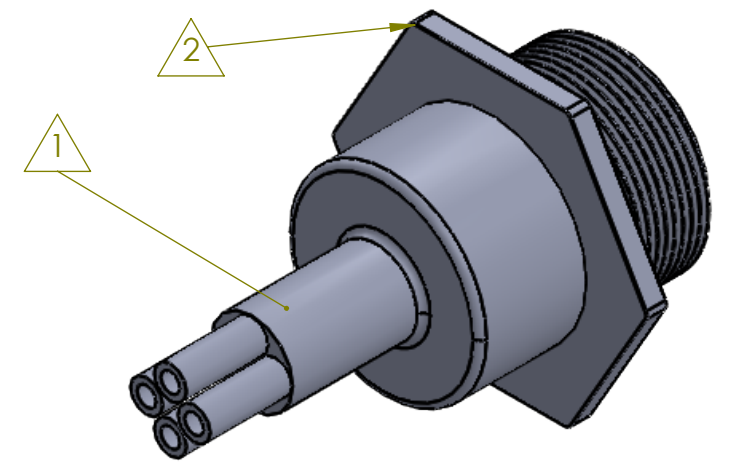
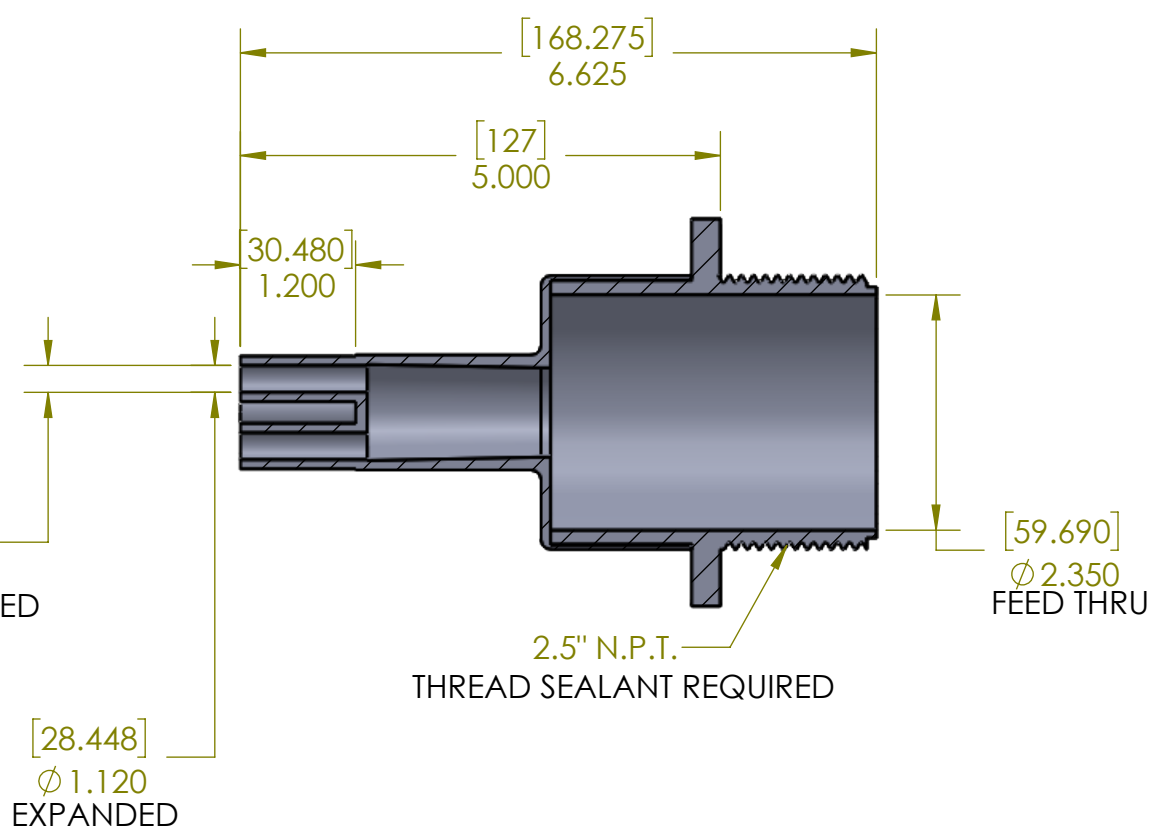


SECTION A-A



ITEM	PART DESCRIPTION	PART NO.	MATERIAL
①	Heat-shrinkable boot	NUBB4-4	HS 3123
②	Body	P-5B	Nylon
③	O-ring		Buna
④	Nut		Nylon
⑤	Adhesive	A-010	Hotmelt ADH
⑥			

**Nu-Tech**

UNLESS OTHERWISE SPECIFIED:  
 DIMENSIONS ARE IN INCHES  
 TOLERANCES:  
 FRACTIONAL ±1/32  
 THREE PLACE DECIMAL ± 0.030

DO NOT SCALE DRAWING

By: Keven      DATE: 6/1/2021

PART NO. **5-NUP-4D**

DWG. NO. PRP:"SW-Title"

WEIGHT: SW-Mass@par19.SLDPRT      REV

SCALE: 1:2      SHEET 1 OF 1