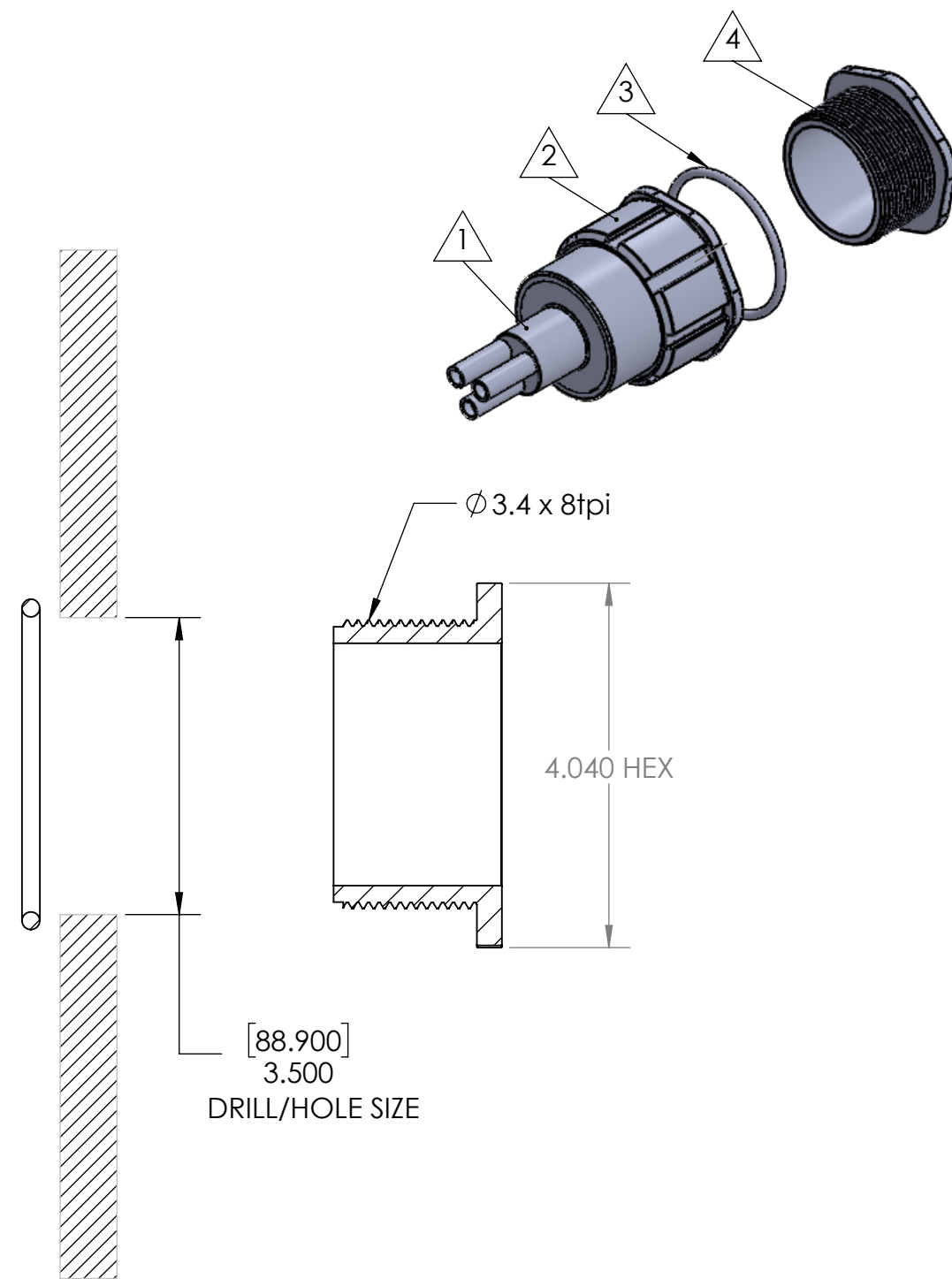


SECTION A-A
SCALE 1 : 2



ITEM	PART DESCRIPTION	PART NO.	MATERIAL	Nu-Tech	
①	Heat-shrinkable boot	NUBB3-4	HS 3123		
②	Body	S-5B	Nylon	DWG. NO. PRP:"SW-Title" WEIGHT: SW-Mass@par19.SLDPRT REV	
③	O-ring	S-5OR	Buna		
④	Nut	S-5N	Nylon	UNLESS OTHERWISE SPECIFIED: DIMENSIONS ARE IN INCHES TOLERANCES: FRACTIONAL ±1/32 THREE PLACE DECIMAL ± 0.030	
⑤	Adhesive	A-010	Hotmelt ADH		
⑥				DWG. NO. PRP:"SW-Title" WEIGHT: SW-Mass@par19.SLDPRT REV	