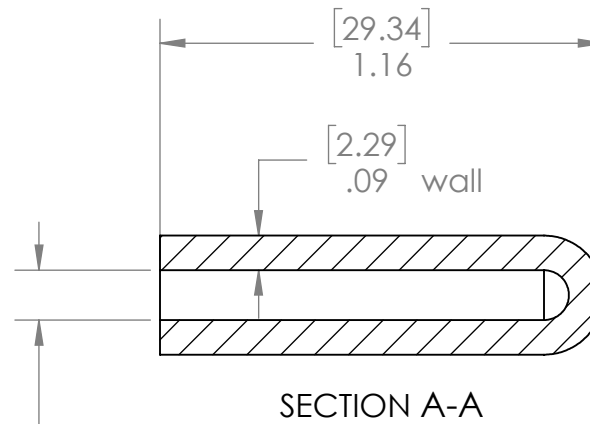
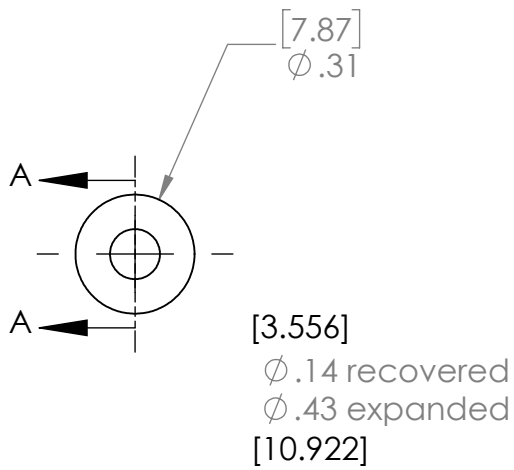
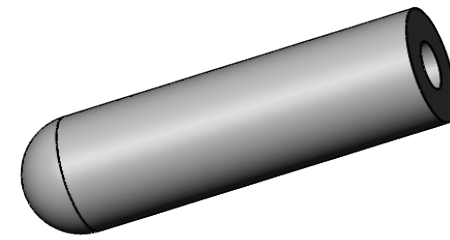


2

1

B

B



A

A

UNLESS OTHERWISE SPECIFIED:		NAME	DATE	NU-TECH	
DIMENSIONS ARE IN INCHES		DRAWN	RB	9-2019	TITLE: NU039X016
TOLERANCES:		CHECKED			
FRACTIONAL \pm		ENG APPR.			
ANGULAR: MACH \pm BEND \pm		MFG APPR.			
TWO PLACE DECIMAL $\pm .02$		Q.A.			SIZE DWG. NO. REV
THREE PLACE DECIMAL \pm		COMMENTS:	use 9/5 mm size		
INTERPRET GEOMETRIC TOLERANCING PER:				SCALE: 2:1	SHEET 1 OF 1
MATERIAL HS 3123					
FINISH					
DO NOT SCALE DRAWING					

2

1