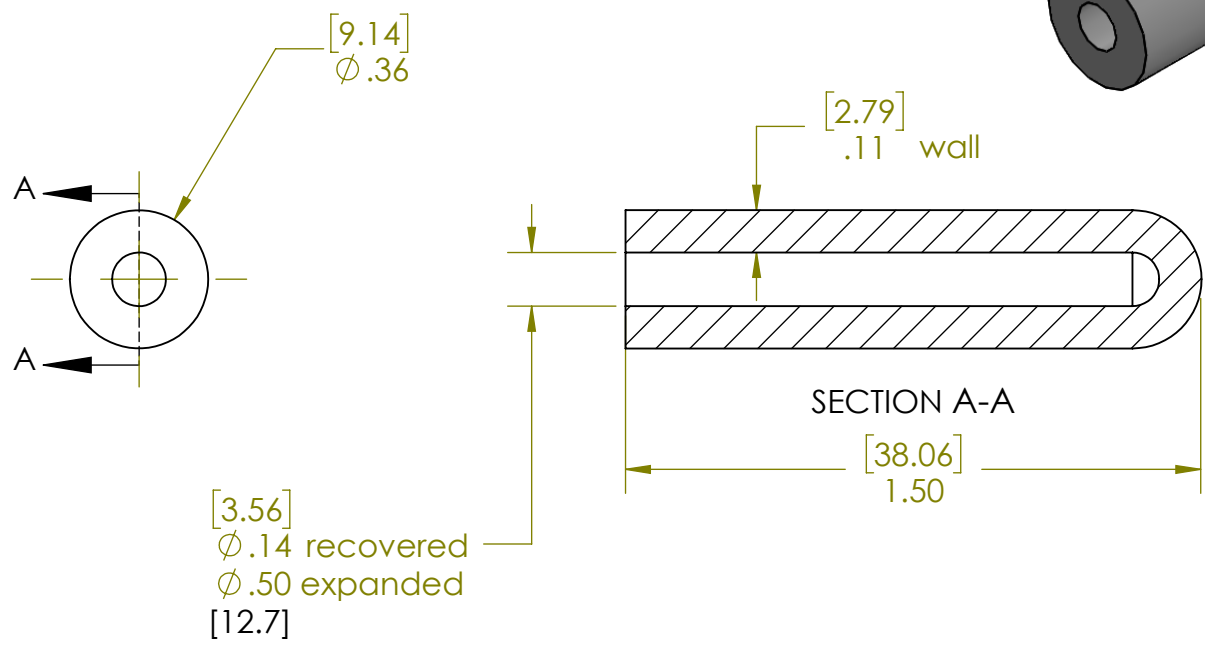
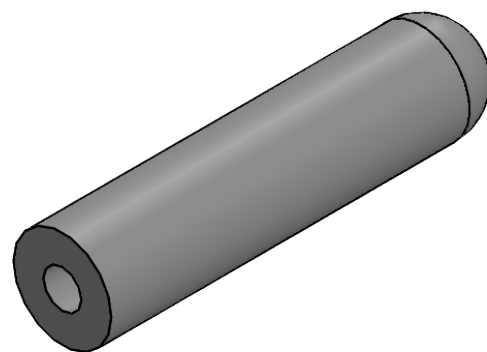


B

B



A

A

UNLESS OTHERWISE SPECIFIED:		NAME	DATE	NU-TECH	
DIMENSIONS ARE IN INCHES		DRAWN	RB	9-2019	TITLE:
TOLERANCES:		CHECKED			NU050X016
FRACTIONAL ±		ENG APPR.			
ANGULAR: MACH ± BEND ±		MFG APPR.			
TWO PLACE DECIMAL ±		Q.A.			
THREE PLACE DECIMAL ± .02		COMMENTS:			SIZE
INTERPRET GEOMETRIC TOLERANCING PER:		use 12/5 mm size			DWG. NO.
MATERIAL					REV
FINISH					
DO NOT SCALE DRAWING		SCALE: 2:1		SHEET 1 OF 1	

2

1

2

1