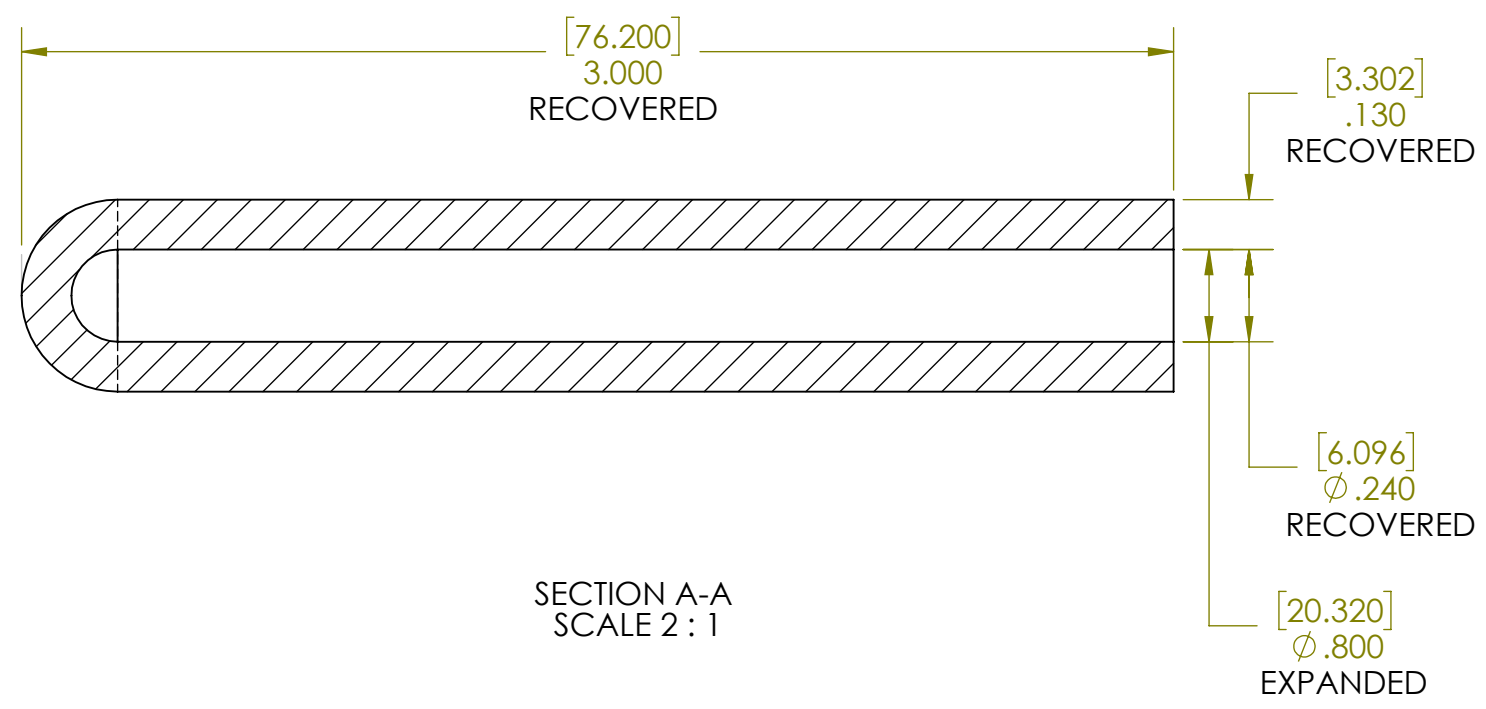
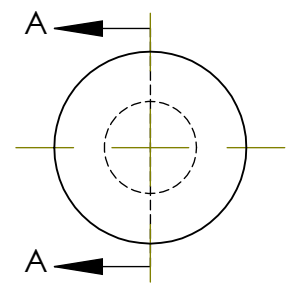
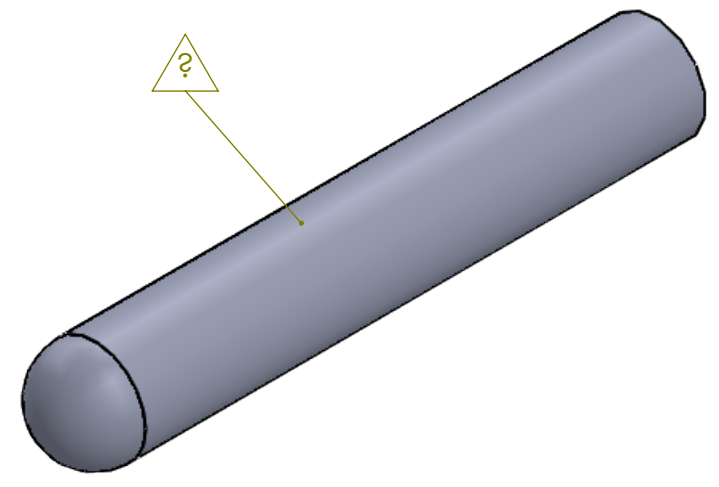


8 7 6 5 4 3 2 1

D
C
B
A

D
C
B
A



ITEM	PART DESCRIPTION	PART NO.	MATERIAL	Nu-Tech			
①	Heat-shrinkable boot		HS 3123				
				DWG. NO. PRP:"SW-Title"		WEIGHT: SW-Mass@par19.SLDPRT	REV
⑤	Adhesive	A-010	Hotmelt ADH	DO NOT SCALE DRAWING		SCALE: 1:1	SHEET 1 OF 1
				DRAWN: HH	DATE: 7/9/2021		

8 7 6 5 4 3 2 1