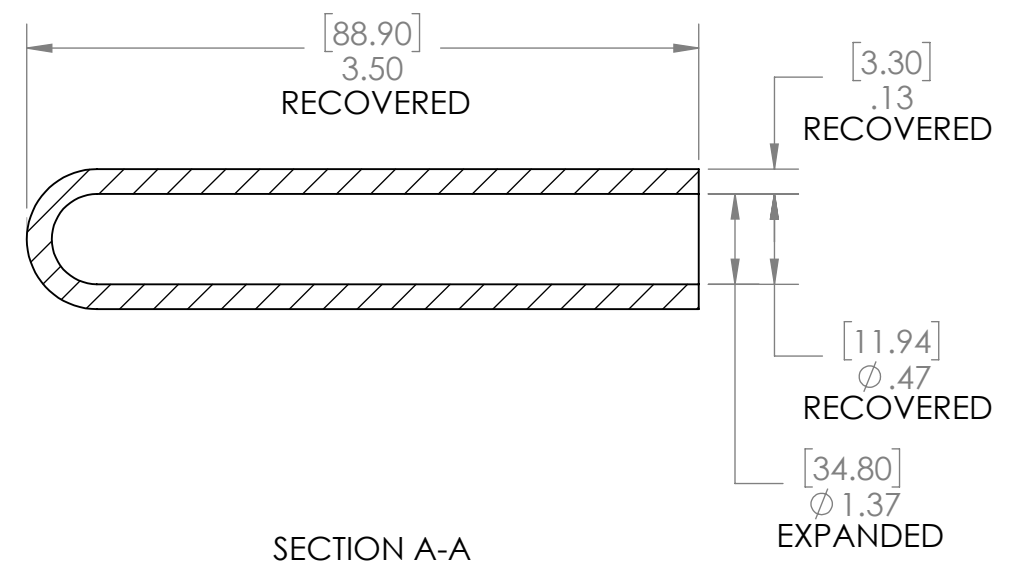
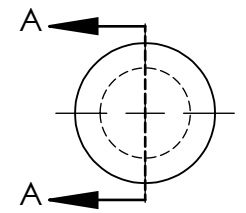
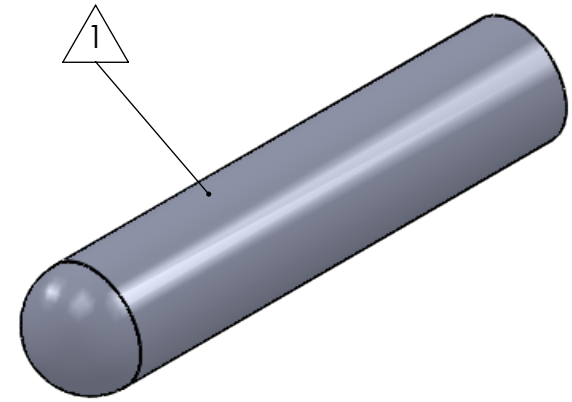


8 7 6 5 4 3 2 1

D
C
B
A



| ITEM | PART DESCRIPTION | PART NO. | MATERIAL | Nu-Tech | | | |
|------|----------------------|----------|-------------|------------------------------|----------------|------------|--------------|
| | Heat-shrinkable boot | | HS 3123 | | | | |
| | | | | DWG. NO. PRP:"SW-Title" | | | |
| | Adhesive | A-010 | Hotmelt ADH | WEIGHT: SW-Mass@par19.SLDPRT | REV | | |
| | | | | DRAWN: HH | DATE: 7/9/2021 | SCALE: 1:1 | SHEET 1 OF 1 |

8 7 6 5 4 3 2 1