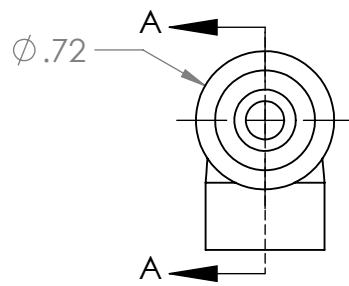
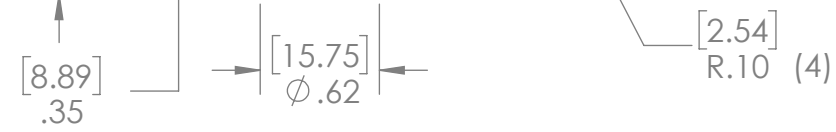
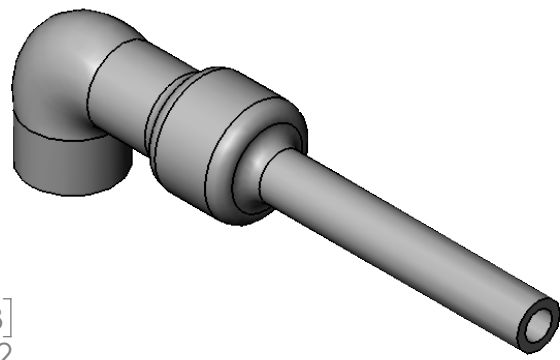
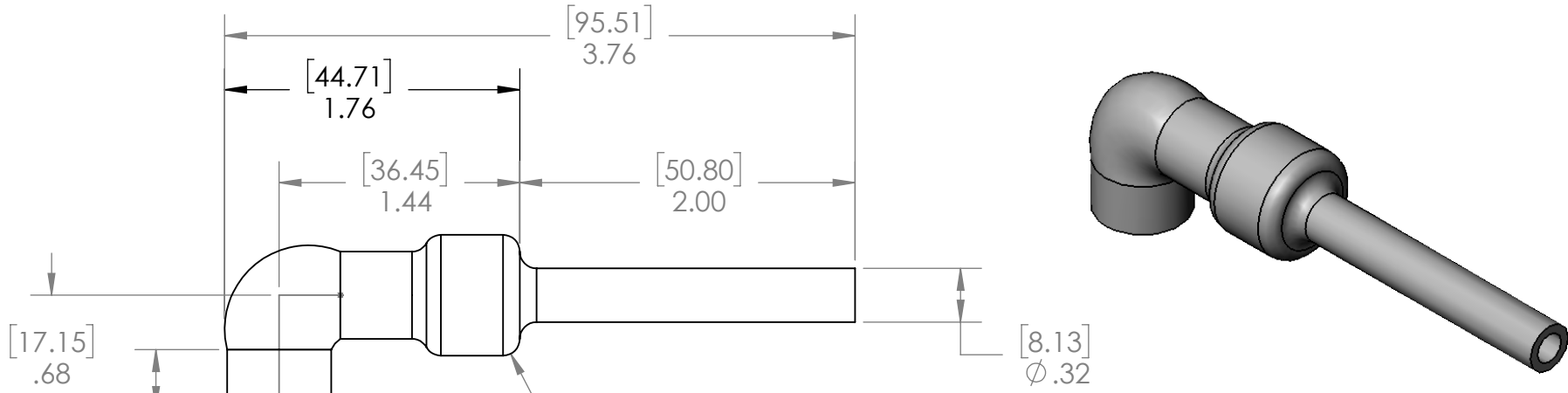


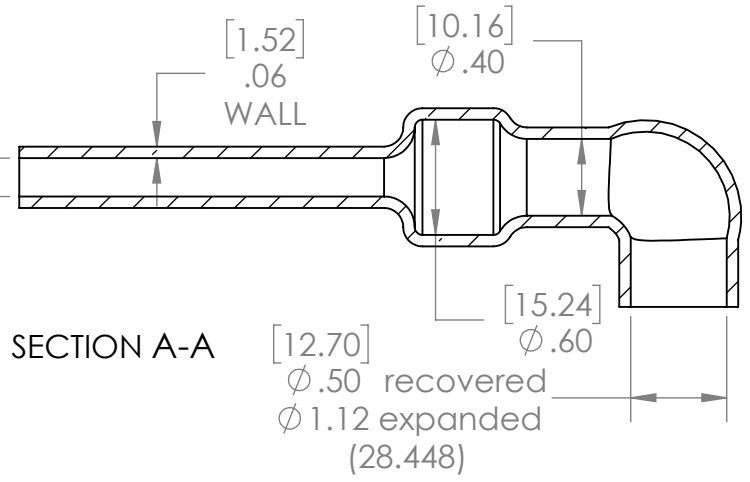
2 1

B

B



[5.08]
 ϕ .20 recovered
 ϕ 1.12 expanded
 (28.448)



SECTION A-A

A

A

UNLESS OTHERWISE SPECIFIED:		NAME	DATE	NU-TECH			
DIMENSIONS ARE IN INCHES		DRAWN	RB	9-2019	TITLE: NU1RLG		
TOLERANCES:		CHECKED					
FRACTIONAL \pm		ENG APPR.					
ANGULAR: MACH \pm BEND \pm		MFG APPR.					
TWO PLACE DECIMAL \pm .02		Q.A.			SIZE	DWG. NO.	REV
THREE PLACE DECIMAL \pm .03		COMMENTS:			A		
INTERPRET GEOMETRIC TOLERANCING PER:						SCALE: 1:1	SHEET 1 OF 1
MATERIAL							
FINISH							
DO NOT SCALE DRAWING							

2

1