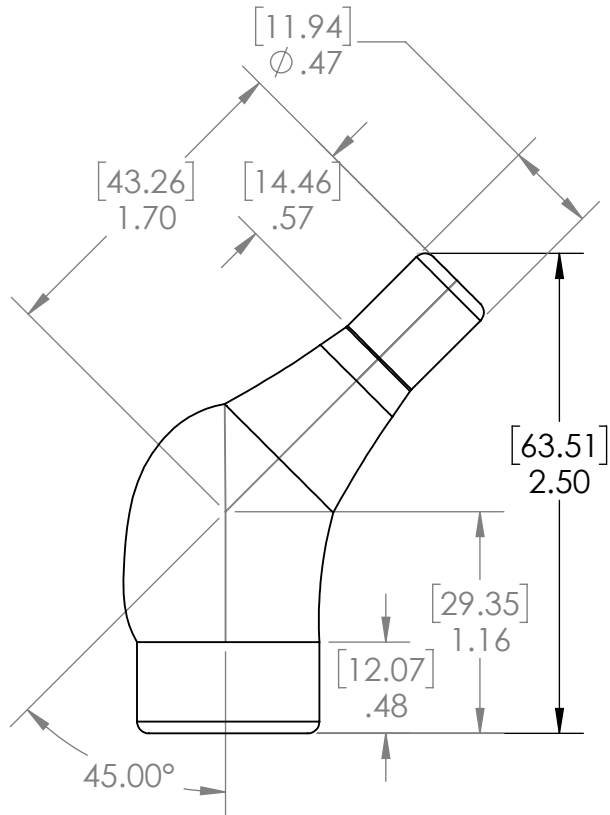


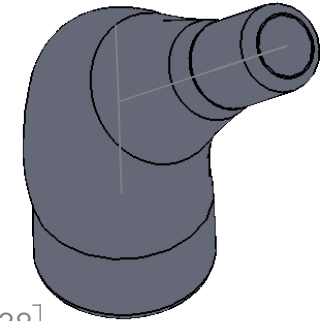
B



$[1.57]$   
R.06 TYP

$[1.78]$   
.07

$[24.13]$   
 $\phi .95$



$[8.38]$   
 $\phi .33$  RECOVERED  
 $\phi 1.50$  EXPANDED  
 $[38.1]$

$[2.54]$   
.10

SECTION A-A

$[19.05]$   
 $\phi .75$  RECOVERED  
 $\phi 1.5$  EXPANDED  
 $[38.1]$

B

A

UNLESS OTHERWISE SPECIFIED:		NAME	DATE	NU-TECH		
DIMENSIONS ARE IN INCHES		DRAWN	RB	TITLE:  <b>NU2-45</b>		
TOLERANCES:		CHECKED				
FRACTIONAL $\pm$		ENG APPR.				
ANGULAR: MACH $\pm$ BEND $\pm$		MFG APPR.				
TWO PLACE DECIMAL $\pm .03$		Q.A.		SIZE	DWG. NO.	REV
THREE PLACE DECIMAL $\pm .015$		COMMENTS:		<b>A</b>		
INTERPRET GEOMETRIC TOLERANCING PER:				SCALE: 1:1		SHEET 1 OF 1
MATERIAL						
FINISH						
DO NOT SCALE DRAWING						

2

1

A