

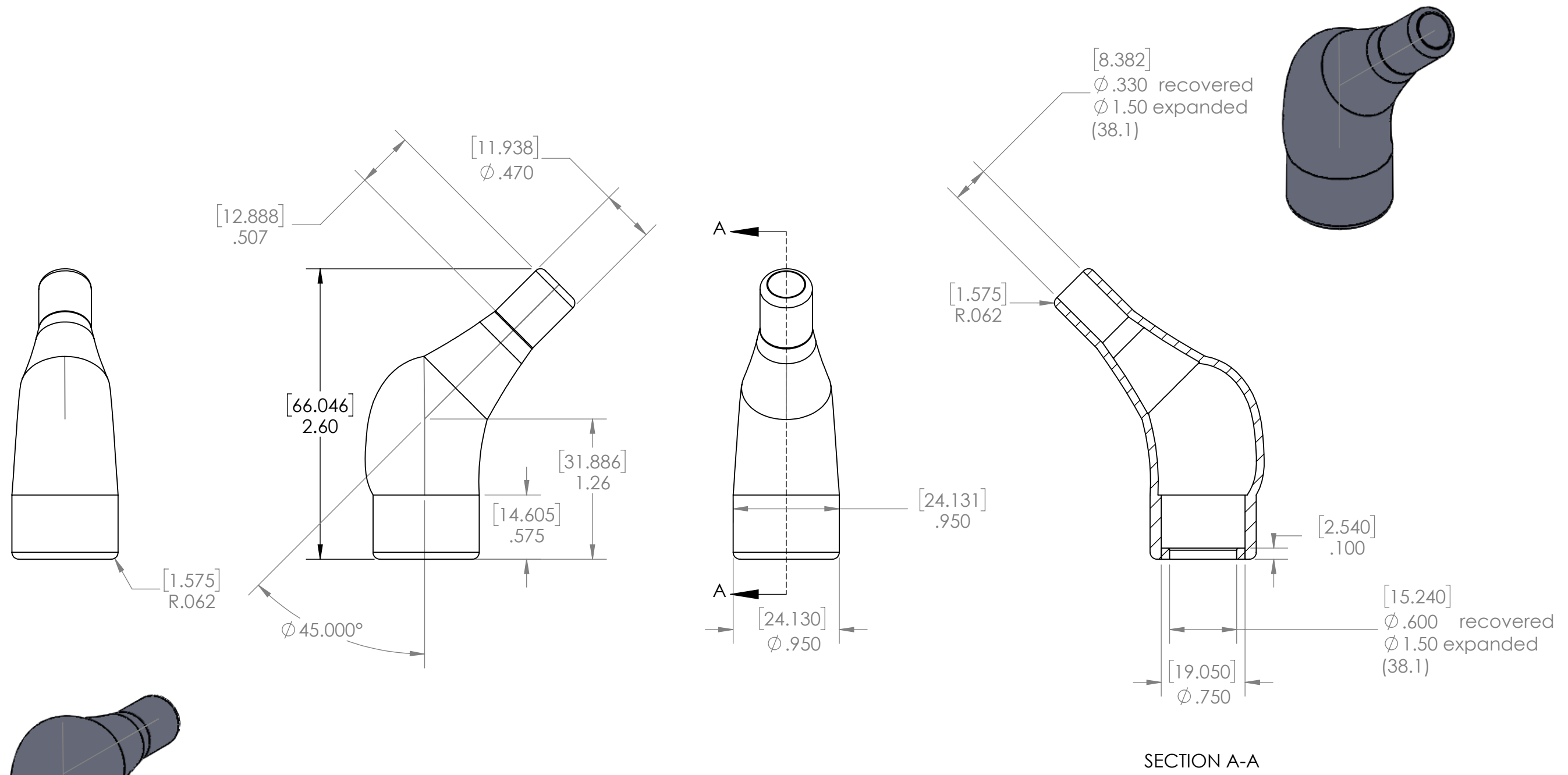
8 7 6 5 4 3 2 1

D

C

B

A



ITEM	PART DESCRIPTION	PART NO.	MATERIAL	UNLESS OTHERWISE SPECIFIED:	
①	Heat-shrinkable boot		HS 3123	DIMENSIONS ARE IN INCHES	
②	Body		Nylon	TOLERANCES:	
③	O-ring		Buna	FRACTIONAL ±1/32	
④	Nut		Nylon	THREE PLACE DECIMAL ± 0.030	
⑤	Adhesive	A-010	Hotmelt ADH	DO NOT SCALE DRAWING	
⑥				DRAWN: SS	DATE: 5/27/2021

<b>NU-TECH</b> 305 JUNIA AVE. WINSTON-SALEM, NC 27127 (336)725-4700 WWW.NU-TECH.US	
PART NO. <b>NU2-45L</b>	
DWG. NO.	
WEIGHT:	REV
SCALE: 1:1	SHEET 1 OF 1

8 7 6 5 4 3 2 1