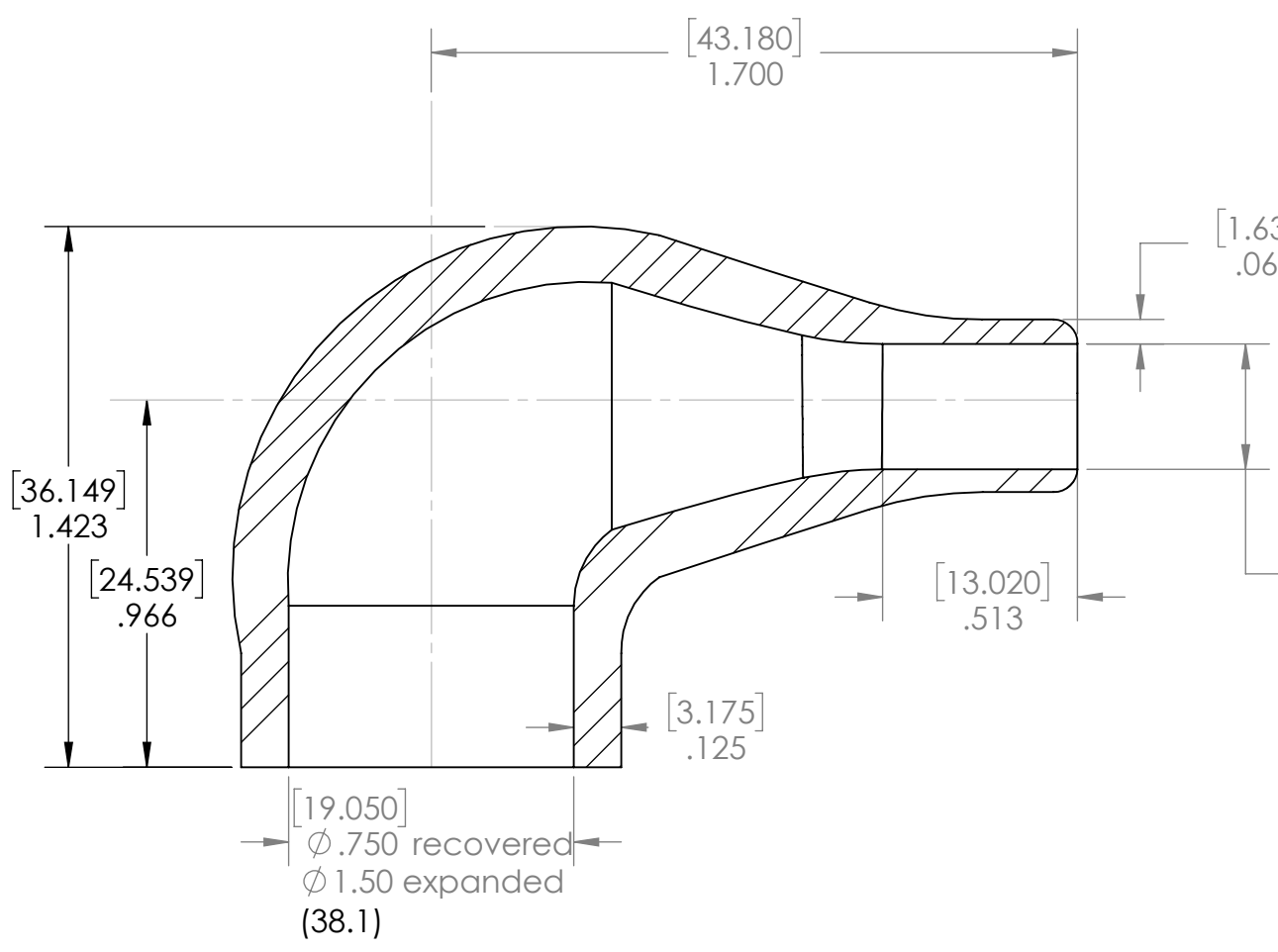
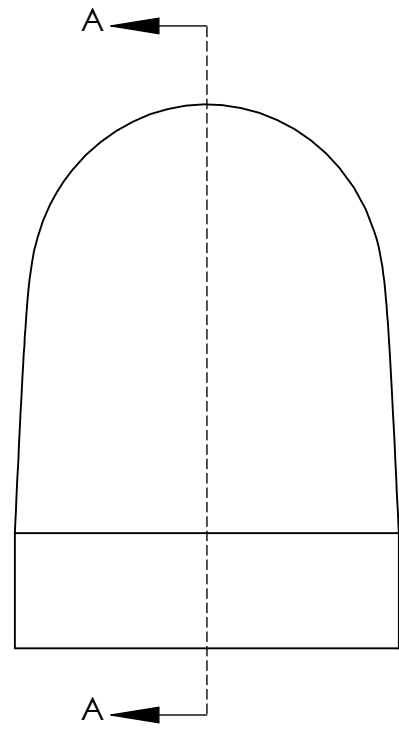


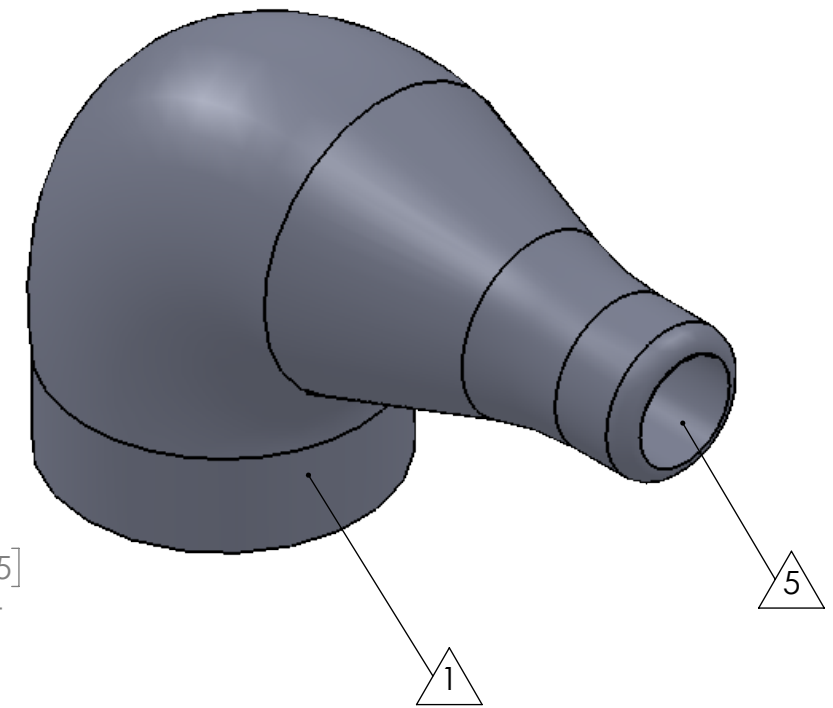
8 7 6 5 4 3 2 1

D  
C  
B  
A

D  
C  
B  
A



[8.382]  
 $\phi$ .330 recovered  
 $\phi$  1.50 expanded  
 (38.1)



SECTION A-A

ITEM	PART DESCRIPTION	PART NO.	MATERIAL
$\triangle$ 1	Heat-shrinkable boot		HS 3123
$\triangle$ 5	Adhesive	A-010	Hotmelt ADH

<b>Nu-Tech</b>		PART NO.	
		<b>NU2R</b>	
UNLESS OTHERWISE SPECIFIED: DIMENSIONS ARE IN INCHES TOLERANCES: FRACTIONAL $\pm 1/32$ THREE PLACE DECIMAL $\pm 0.030$		DWG. NO. PRP:"SW-Title"	
		WEIGHT: SW-Mass@par19.SLDPRT	REV
DRAWN: HH	DATE: 12/2/2019	SCALE: 2:1	SHEET 1 OF 1

8 7 6 5 4 3 2 1