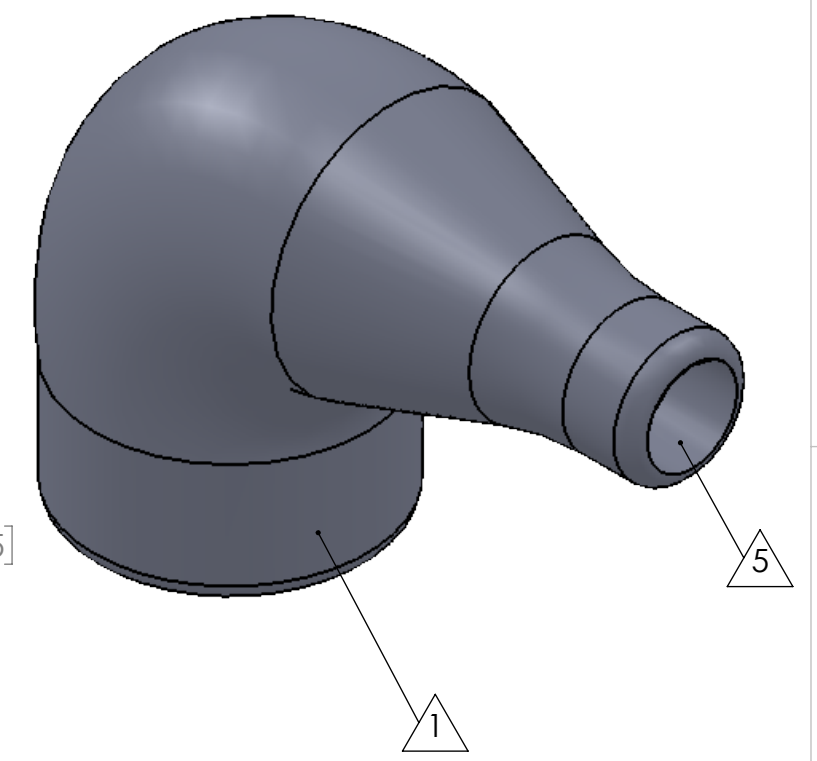
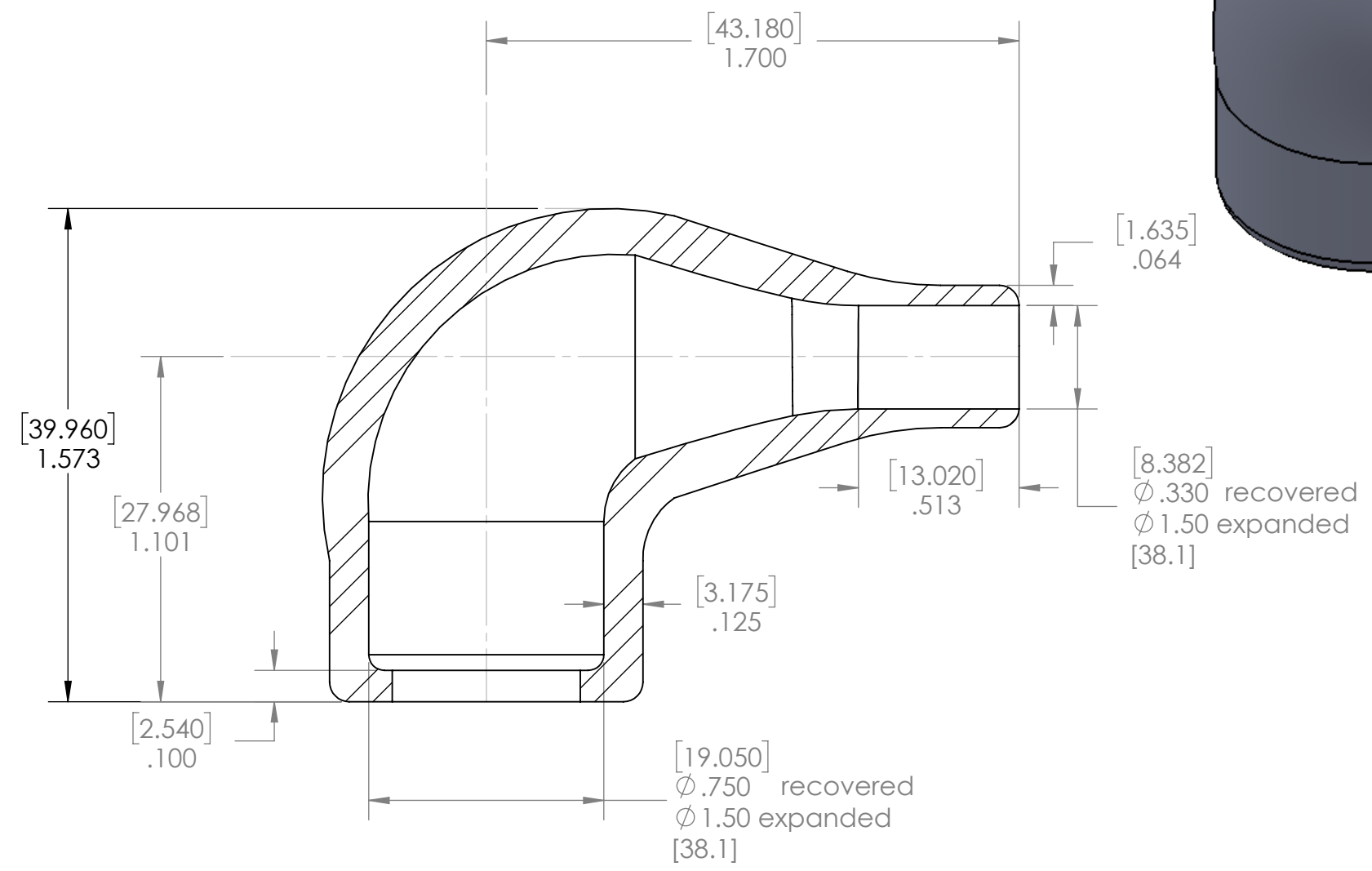
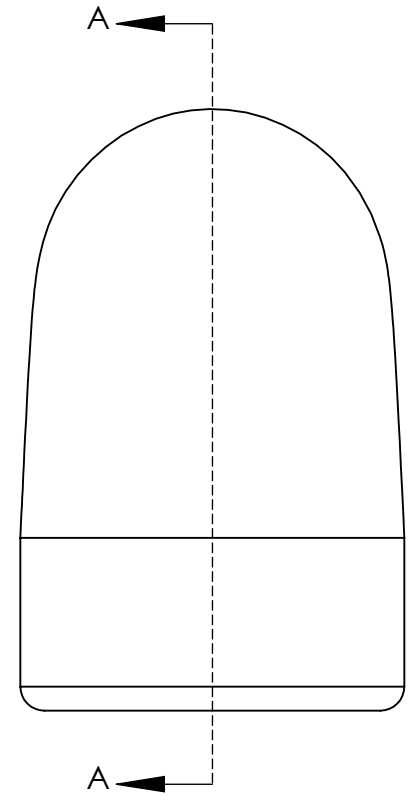


8 7 6 5 4 3 2 1

D
C
B
A



SECTION A-A

ITEM	PART DESCRIPTION	PART NO.	MATERIAL	Nu-Tech	
	Heat-shrinkable boot		HS 3123		
				DIMENSIONS ARE IN INCHES TOLERANCES: FRACTIONAL $\pm 1/32$ THREE PLACE DECIMAL ± 0.030	
				DWG. NO. PRP:"SW-Title"	
	Adhesive	A-010	Hotmelt ADH	DO NOT SCALE DRAWING	WEIGHT: SW-Mass@par19.SLDPRT REV
				DRAWN: HH DATE: 12/3/2019	SCALE: 2:1 SHEET 1 OF 1

8 7 6 5 4 3 2 1