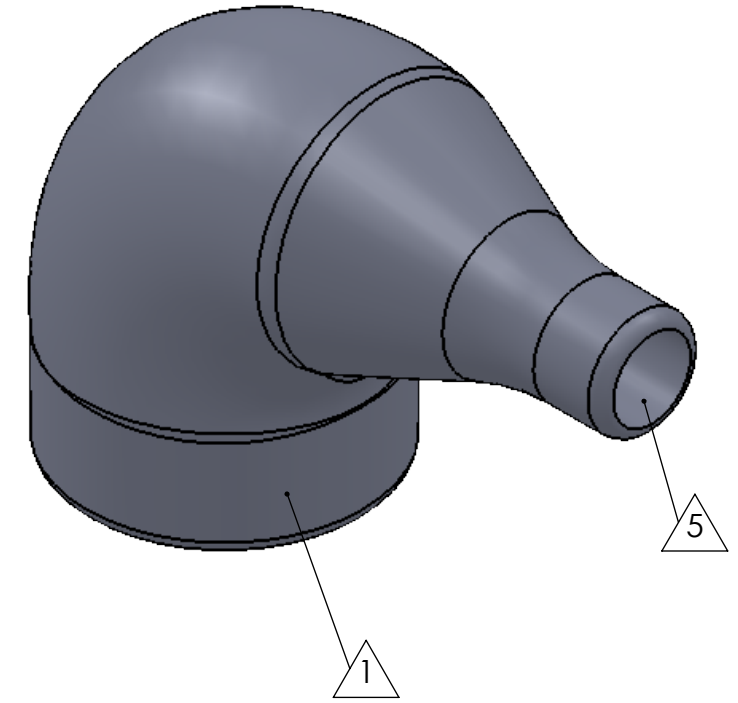


SECTION A-A
SCALE 1.5 : 1



ITEM	PART DESCRIPTION	PART NO.	MATERIAL
	Heat-shrinkable boot		HS 3123
	Adhesive	A-010	Hotmelt ADH

Nu-Tech

UNLESS OTHERWISE SPECIFIED:
 DIMENSIONS ARE IN INCHES
 TOLERANCES:
 FRACTIONAL ± 1/32
 THREE PLACE DECIMAL ± 0.030

DO NOT SCALE DRAWING

PART NO. NU3RL	
DWG. NO. PRP:"SW-Title"	
WEIGHT: SW-Mass@par19.SLDPRT	REV
DRAWN: HH	DATE: 12/3/2019
SCALE: 1:1	SHEET 1 OF 1