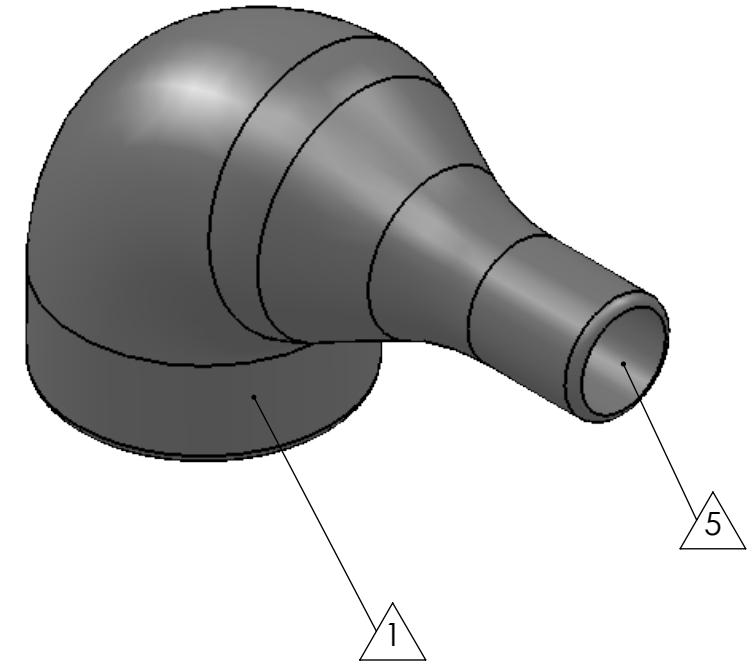


SECTION A-A



ITEM	PART DESCRIPTION	PART NO.	MATERIAL
	Heat-shrinkable boot		HS 3123
	Adhesive	A-010	Hotmelt ADH

UNLESS OTHERWISE SPECIFIED:
 DIMENSIONS ARE IN INCHES
 TOLERANCES:
 FRACTIONAL ±1/32
 THREE PLACE DECIMAL ± 0.030

DO NOT SCALE DRAWING

DRAWN: HH

DATE: 12/3/2019

Nu-Tech

PART NO.

NU4RL

DWG. NO.

PRP:"SW-Title"

WEIGHT:

SW-Mass@par19.SLDPRT

REV

SCALE:

1:1

SHEET 1 OF 1