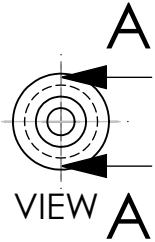
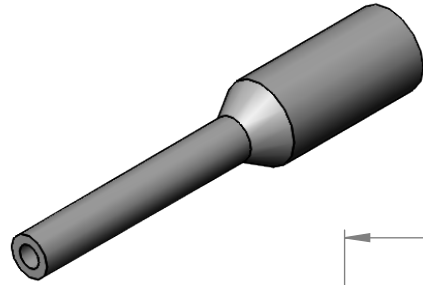


2

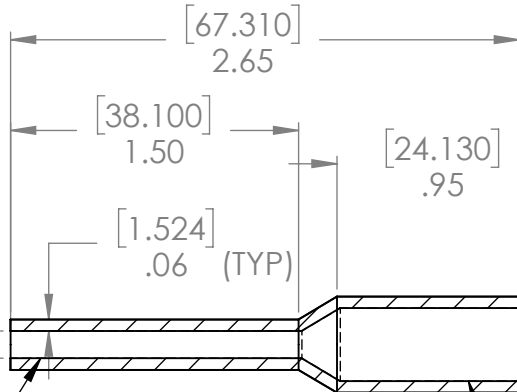
1

B

B



[3.962]  
 $\phi$ .156 RECOVERED  
 $\phi$ .875 EXPANDED  
 [22.225]



**SECTION A-A**

UNLESS OTHERWISE SPECIFIED:		NAME	DATE
DIMENSIONS ARE IN INCHES		DRAWN	RB
TOLERANCES:		CHECKED	
FRACTIONAL $\pm$		ENG APPR.	
ANGULAR: MACH $\pm$ BEND $\pm$		MFG APPR.	
TWO PLACE DECIMAL $\pm$ .03			
THREE PLACE DECIMAL $\pm$ .015			
PART	MATERIAL		
HEAT SHRINKABLE BOOT	HS 3123		
ADHESIVE	HOTMELT ADH		
DO NOT SCALE DRAWING			

NU-TECH		
TITLE:		
<b>NUCS424-2.65</b>		
SIZE	DWG. NO.	REV
<b>A</b>		
SCALE: 1:1		SHEET 3 OF 3

A

A

2

1