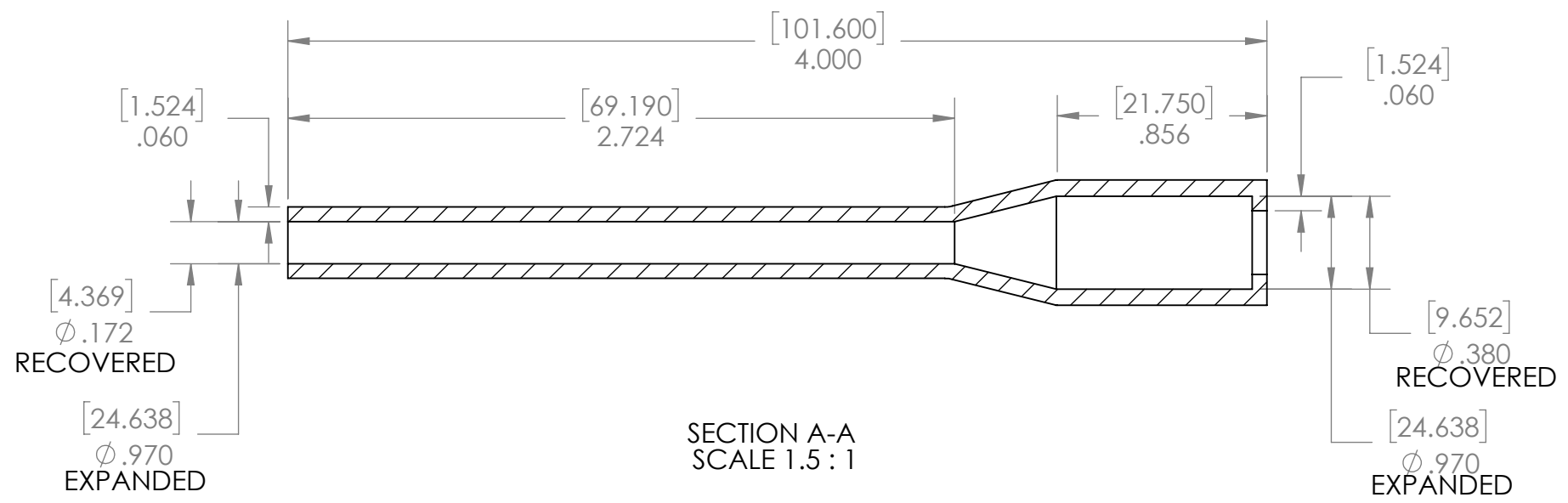
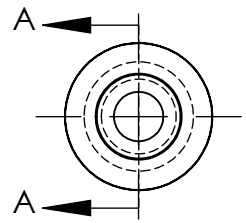
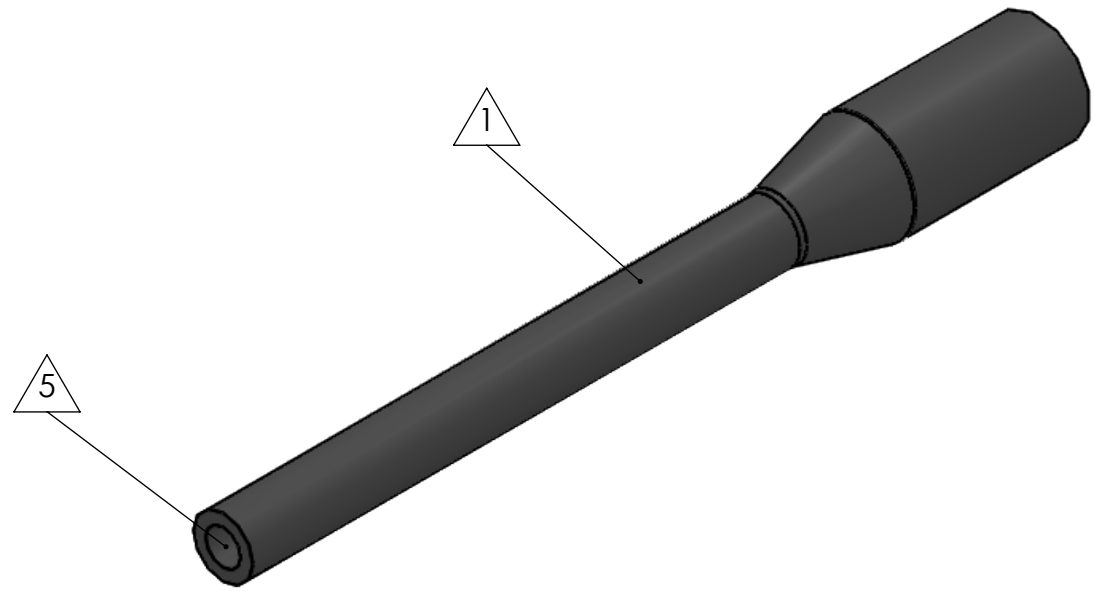


8 7 6 5 4 3 2 1

D  
C  
B  
A

D  
C  
B  
A



ITEM	PART DESCRIPTION	PART NO.	MATERIAL
①	Heat-shrinkable boot		HS 3123
⑤	Adhesive	A-010	Hotmelt ADH

**Nu-Tech**

UNLESS OTHERWISE SPECIFIED:  
 DIMENSIONS ARE IN INCHES  
 TOLERANCES:  
 FRACTIONAL  $\pm 1/32$   
 THREE PLACE DECIMAL  $\pm 0.030$

DO NOT SCALE DRAWING

PART NO. <b>NUCS424-A</b>	
DWG. NO. PRP:"SW-Title"	
WEIGHT: SW-Mass@par19.SLDPRT	REV
DRAWN: HH	DATE: 6/1/2021
SCALE: 1:1	SHEET 1 OF 1

8 7 6 5 4 3 2 1