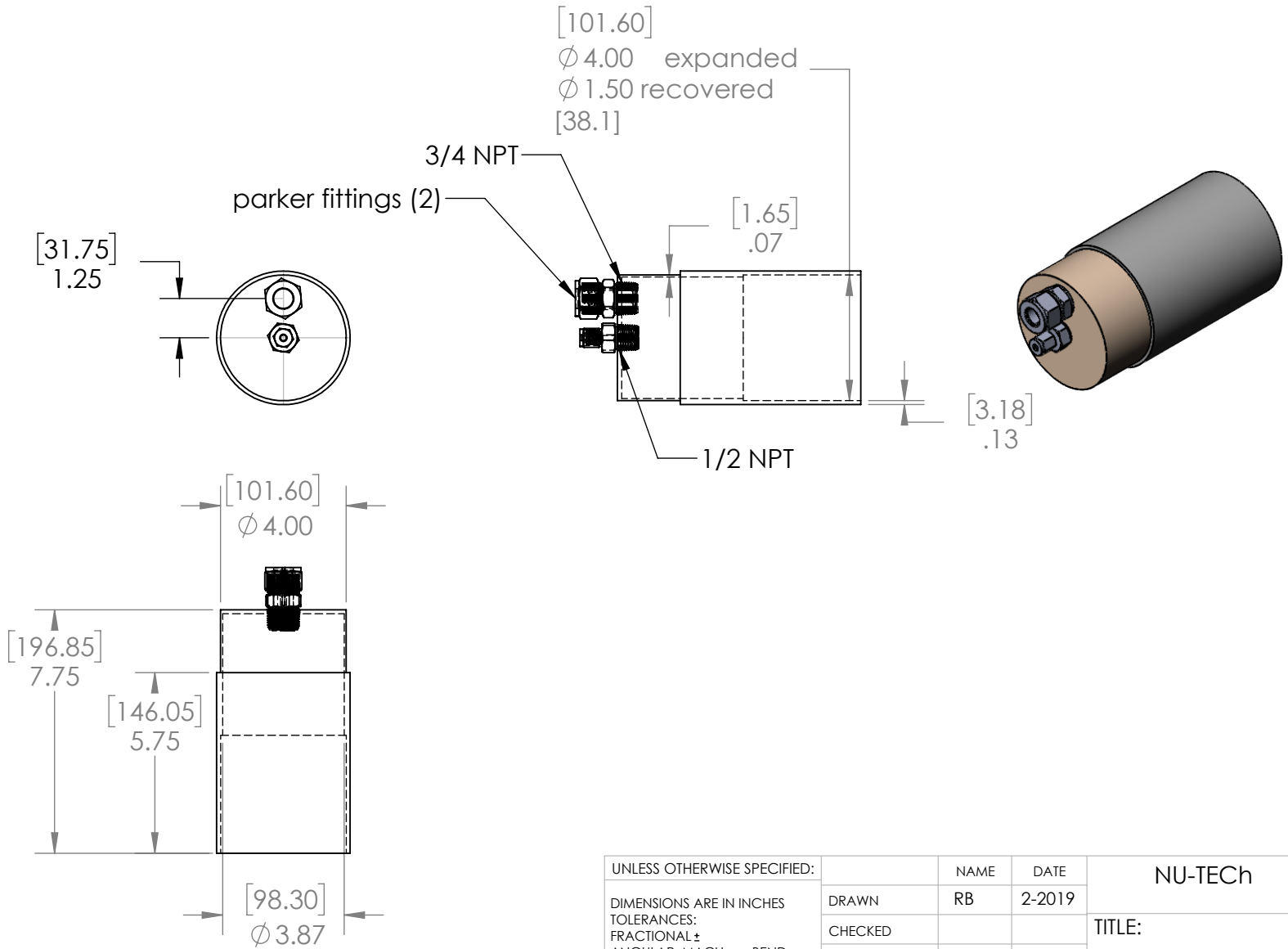


2

1

B

B



A

A

2

1

UNLESS OTHERWISE SPECIFIED:		NAME	DATE	NU-TECH	
DIMENSIONS ARE IN INCHES		DRAWN	RB	2-2019	TITLE: NUECK-3.8-1-4
TOLERANCES:		CHECKED			
FRACTIONAL ±		ENG APPR.			
ANGULAR: MACH ± BEND ±		MFG APPR.			
TWO PLACE DECIMAL ± .03		Q.A.			SIZE DWG. NO. REV
THREE PLACE DECIMAL ± .005		COMMENTS:			
INTERPRET GEOMETRIC TOLERANCING PER:				A	
MATERIAL stainless steel				SCALE: 1:5	
FINISH HRT					SHEET 1 OF 1
DO NOT SCALE DRAWING					