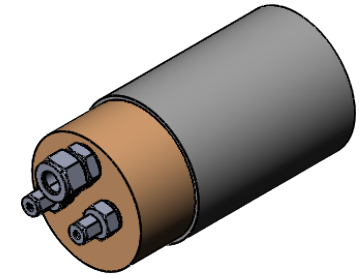
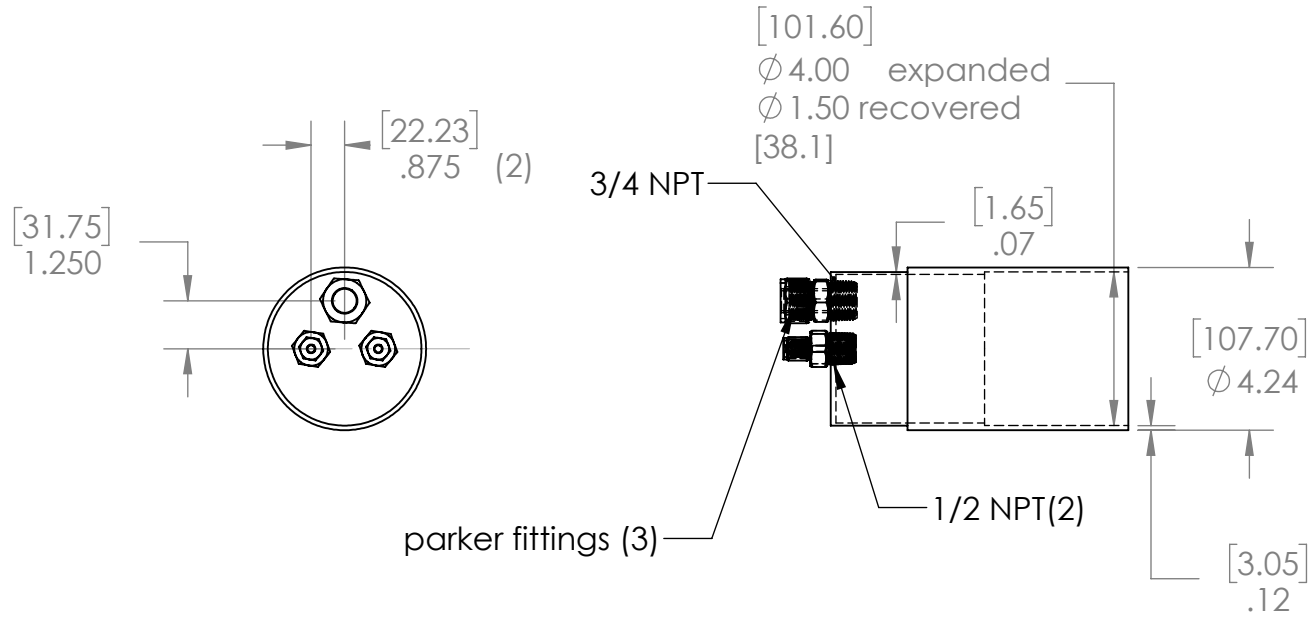


2

1

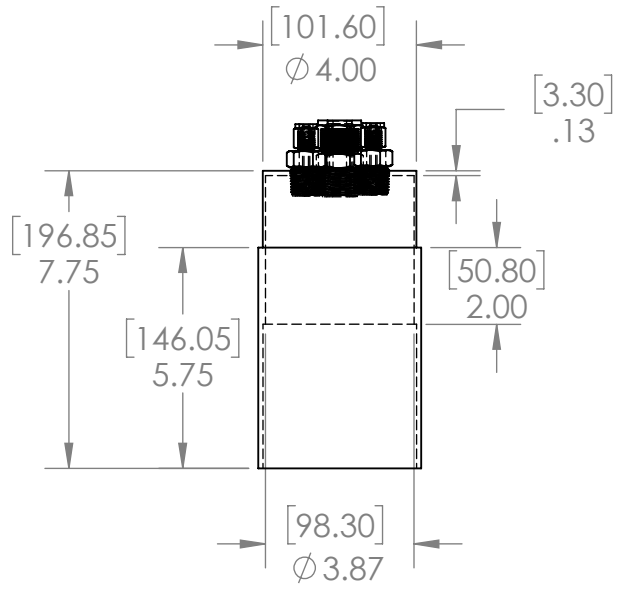
B

B



A

A



UNLESS OTHERWISE SPECIFIED:		NAME	DATE
DIMENSIONS ARE IN INCHES		DRAWN	RB
TOLERANCES:		CHECKED	2-2019
FRACTIONAL \pm		ENG APPR.	
ANGULAR: MACH \pm BEND \pm		MFG APPR.	
TWO PLACE DECIMAL \pm .03		Q.A.	
THREE PLACE DECIMAL \pm .005		COMMENTS:	
INTERPRET GEOMETRIC TOLERANCING PER:			
MATERIAL stainless steel			
HRT			
FINISH			
DO NOT SCALE DRAWING			

NU-TECH		
TITLE:		
NUECK-3.8-2-4		
SIZE	DWG. NO.	REV
A		
SCALE: 1:5		SHEET 1 OF 1

2

1