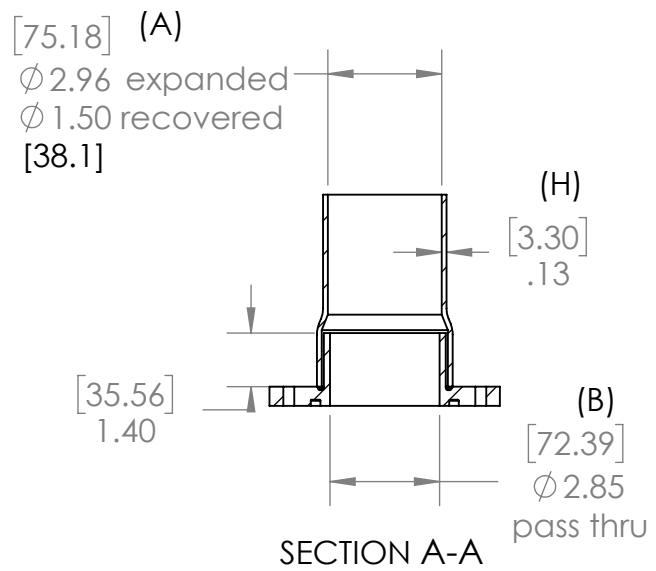
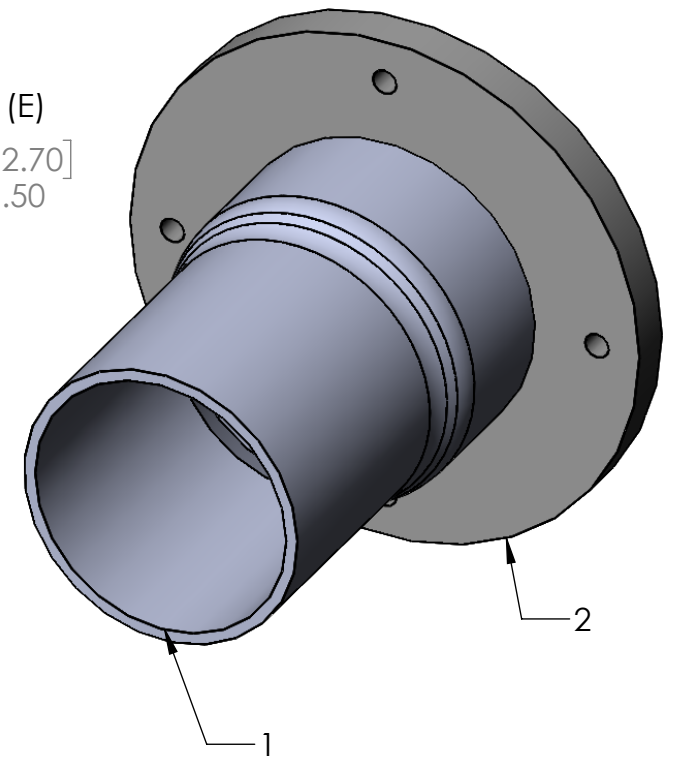
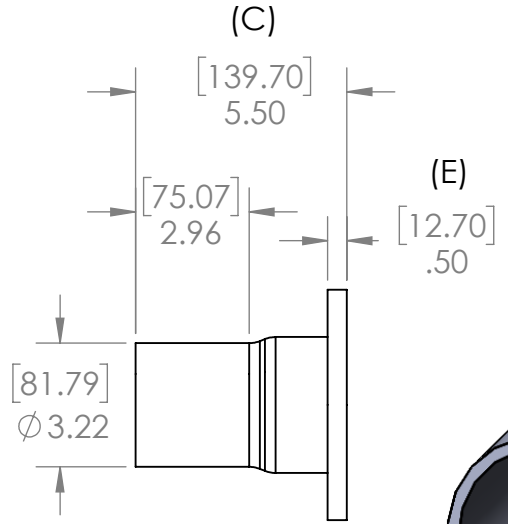
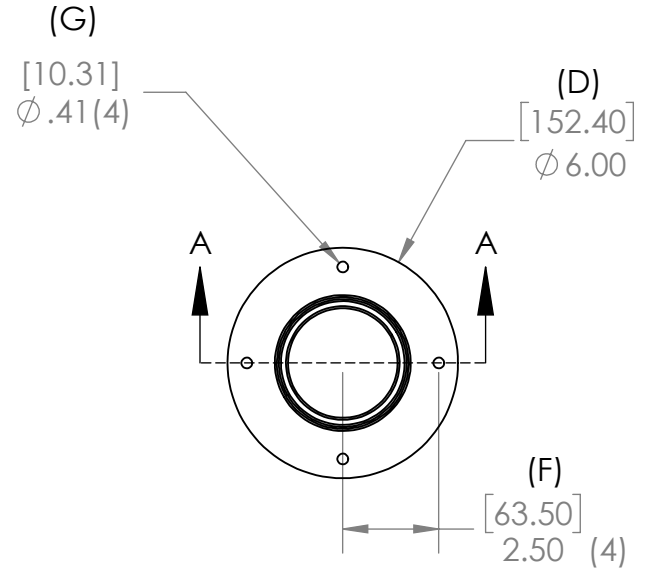


2

1

B

B



UNLESS OTHERWISE SPECIFIED:		NAME	DATE
DIMENSIONS ARE IN INCHES		DRAWN	RB
TOLERANCES:		CHECKED	
FRACTIONAL \pm		ENG APPR.	
ANGULAR: MACH \pm BEND \pm		MFG APPR.	
TWO PLACE DECIMAL \pm .03		Q.A.	
THREE PLACE DECIMAL \pm .015		COMMENTS:	
INTERPRET GEOMETRIC TOLERANCING PER:			
MATERIAL (1) POLYOLEFIN			
(2) DELRIN			
FINISH			
DO NOT SCALE DRAWING			

NU-TECH		
TITLE:		
NUFCWS-2.8-1.5		
SIZE	DWG. NO.	REV
A	NUFCWS-2.8-1.5	
SCALE: 1:5	SHEET 1 OF 1	

A

A

2

1