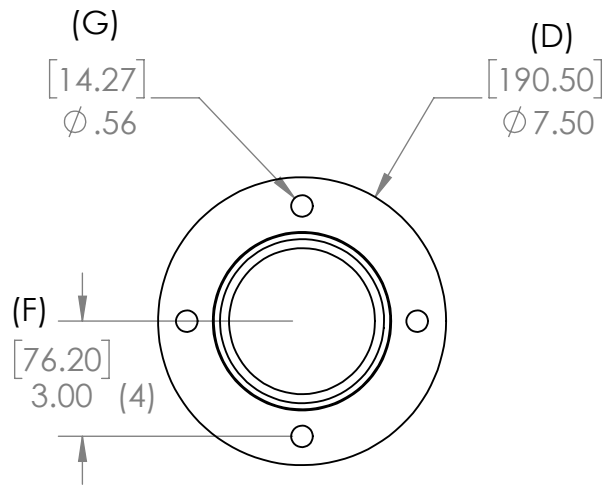
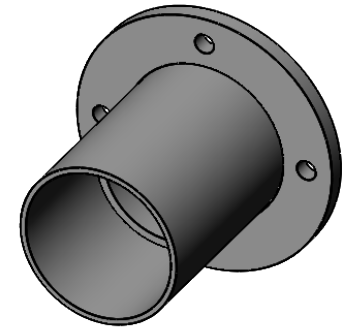
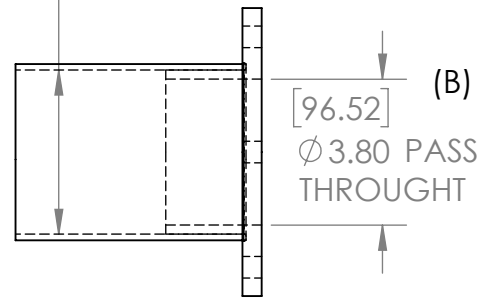


B

A

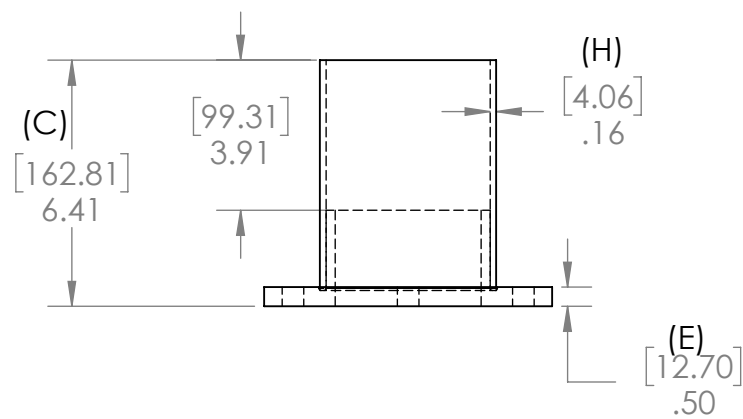


[108.53] (A)  
Ø 4.27 EXPANDED  
Ø 1.5 RECOVERED  
[38.1]



B

A



UNLESS OTHERWISE SPECIFIED:		NAME	DATE	NU-TECH	
DIMENSIONS ARE IN INCHES		DRAWN	RB	2-2020	
TOLERANCES:		CHECKED		TITLE:	
FRACTIONAL ±		ENG APPR.		NUFCWS-3.8-1.5	
ANGULAR: MACH ± BEND ±		MFG APPR.		SIZE	DWG. NO.
TWO PLACE DECIMAL ± .03		Q.A.		A	REV
THREE PLACE DECIMAL ± .015		COMMENTS:		SCALE: 1:5	SHEET 1 OF 1
INTERPRET GEOMETRIC TOLERANCING PER:					
MATERIAL					
DELTRIN					
FINISH					
DO NOT SCALE DRAWING					

2

1