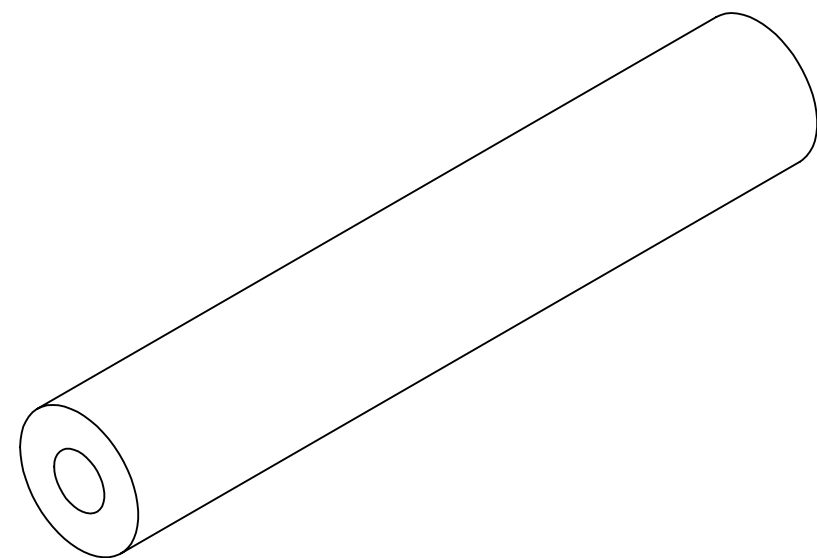
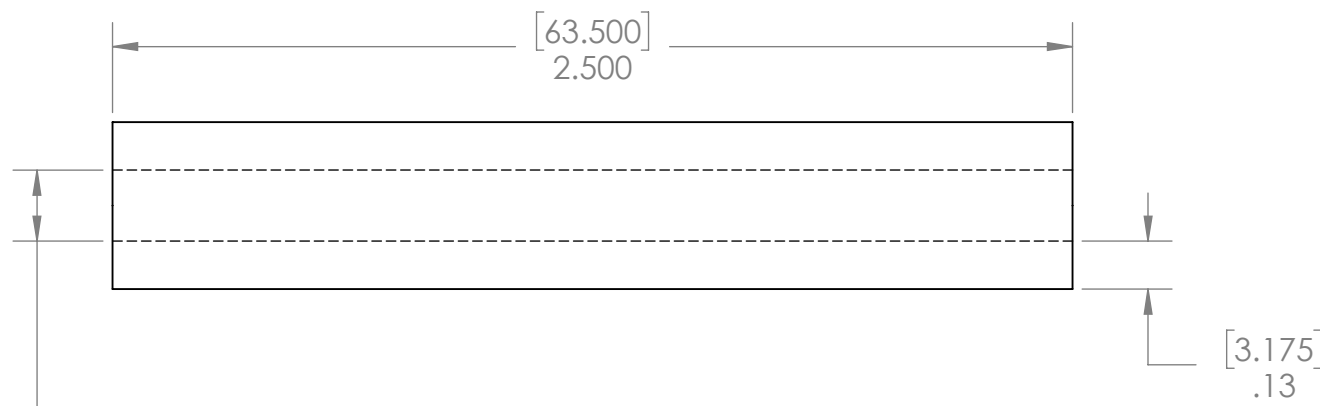


[4.699]
 Ø .185 RECOVERED I.D.
 Ø 1.09 EXPANDED I.D.
 [27.686]



ITEM	PART DESCRIPTION	PART NO.	MATERIAL	Nu-Tech	
1	Heat-shrinkable boot		HS 3123		
2	Adhesive	A-010	Hotmelt ADH	DWG. NO.	
				UNLESS OTHERWISE SPECIFIED: DIMENSIONS ARE IN INCHES TOLERANCES: FRACTIONAL ± 1/32 THREE PLACE DECIMAL ± 0.030	
				DO NOT SCALE DRAWING	
				DRAWN: SS DATE: 6/3/2021	WEIGHT: REV
				SCALE: 2:1	SHEET 1 OF 1