

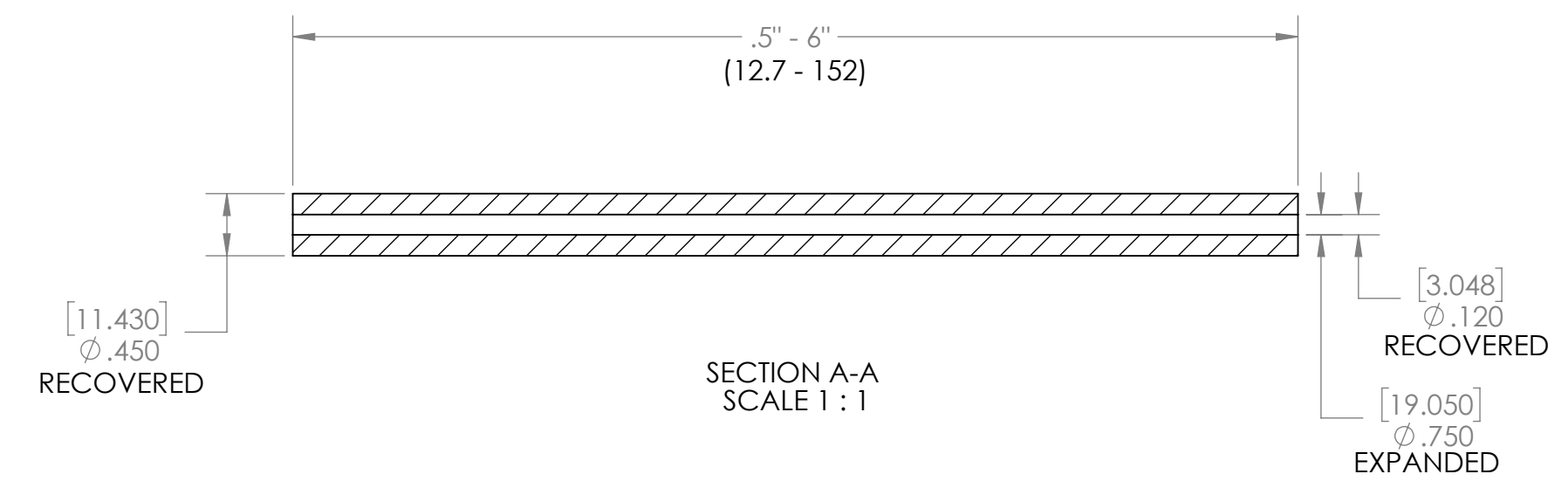
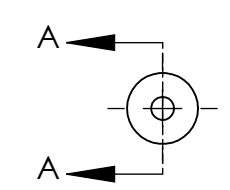
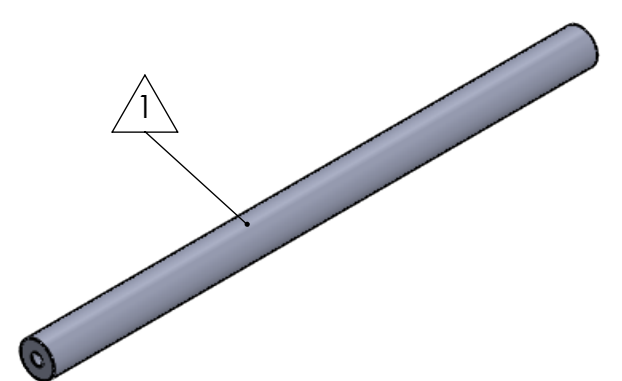
8 7 6 5 4 3 2 1

D

C

B

A



ITEM	PART DESCRIPTION	PART NO.	MATERIAL	<b>Nu-Tech</b>		
①	Heat-shrinkable boot		HS 3123			
				PART NO. <b>NUHRT 0.75</b>		
				DWG. NO. <b>PRP:"SW-Title"</b>		
⑤	Adhesive	A-010	Hotmelt ADH	WEIGHT: SW-Mass@par19.SLDPRT		REV
				DRAWN: HH	DATE: 7/9/2021	SCALE: 1:2
				SHEET 1 OF 1		

8 7 6 5 4 3 2 1