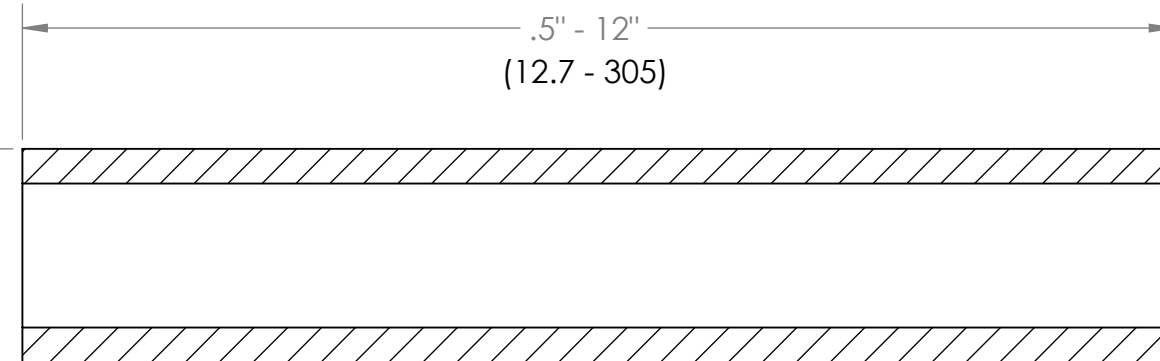
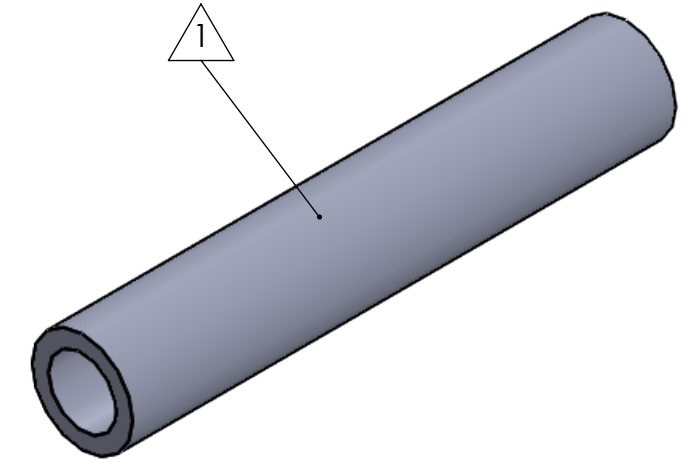


[26.162]
 ϕ 1.030
 RECOVERED



SECTION A-A
 SCALE 1 : 1



[17.272]
 ϕ .680
 RECOVERED

[88.900]
 ϕ 3.500
 EXPANDED

ITEM	PART DESCRIPTION	PART NO.	MATERIAL
①	Heat-shrinkable boot		HS 3123
⑤	Adhesive	A-010	Hotmelt ADH

UNLESS OTHERWISE SPECIFIED:
 DIMENSIONS ARE IN INCHES
 TOLERANCES:
 FRACTIONAL $\pm 1/32$
 THREE PLACE DECIMAL ± 0.030

DO NOT SCALE DRAWING

DRAWN: HH

DATE: 5/27/2021

Nu-Tech

PART NO.
NUHRT 3.5

DWG. NO. PRP:"SW-Title"

WEIGHT: SW-Mass@par19.SLDPRT

REV

SCALE: 1:2

SHEET 1 OF 1