

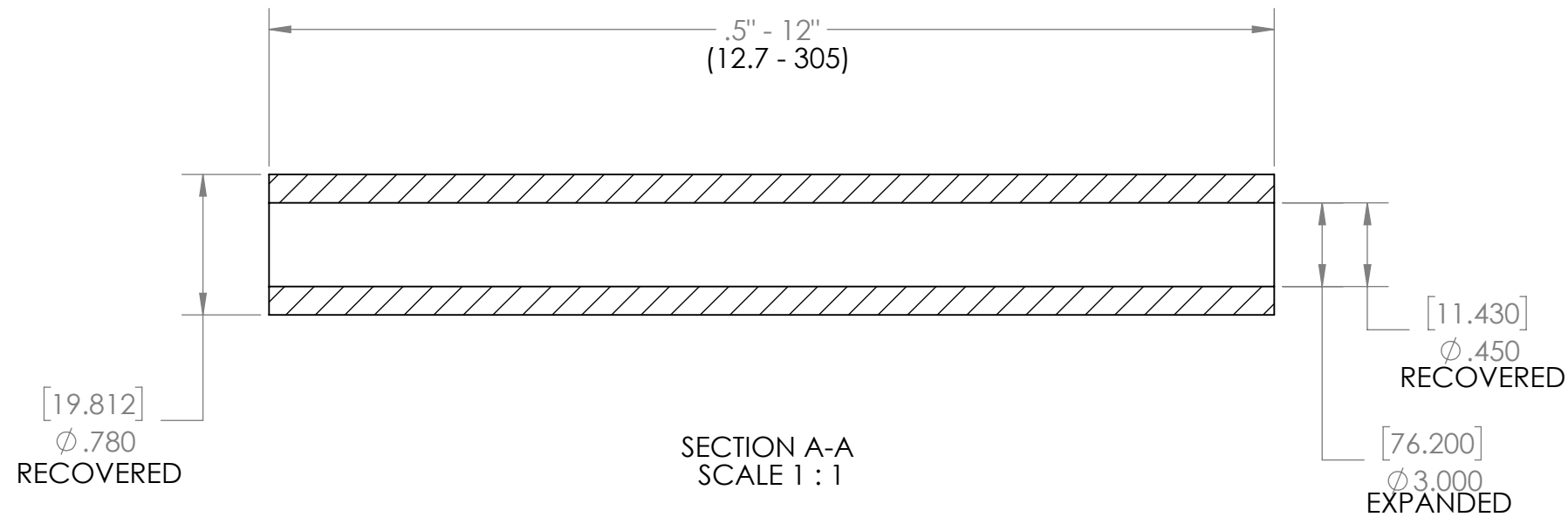
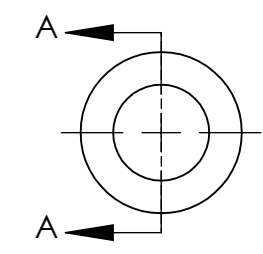
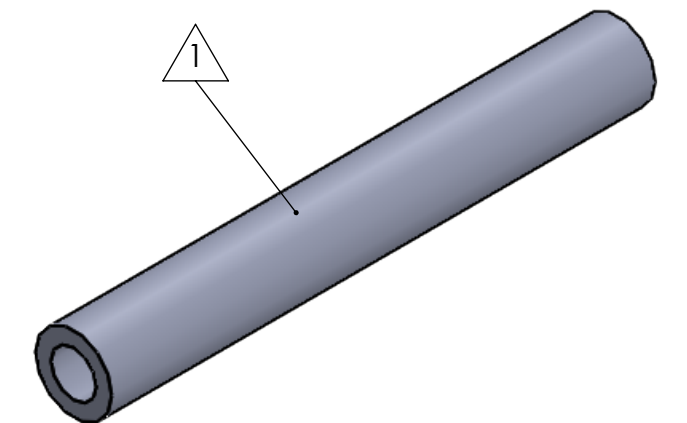
8 7 6 5 4 3 2 1

D

C

B

A



| ITEM | PART DESCRIPTION | PART NO. | MATERIAL |
|------|----------------------|----------|-------------|
| 1 | Heat-shrinkable boot | | HS 3123 |
| 5 | Adhesive | A-010 | Hotmelt ADH |

Nu-Tech

UNLESS OTHERWISE SPECIFIED:
 DIMENSIONS ARE IN INCHES
 TOLERANCES:
 FRACTIONAL ± 1/32
 THREE PLACE DECIMAL ± 0.030

DO NOT SCALE DRAWING

| | |
|------------------------------|-----------------|
| PART NO. NUHRT 3 | |
| DWG. NO. PRP:"SW-Title" | |
| WEIGHT: SW-Mass@par19.SLDPRT | REV |
| DRAWN: HH | DATE: 5/27/2021 |
| SCALE: 1:2 | SHEET 1 OF 1 |

8 7 6 5 4 3 2 1