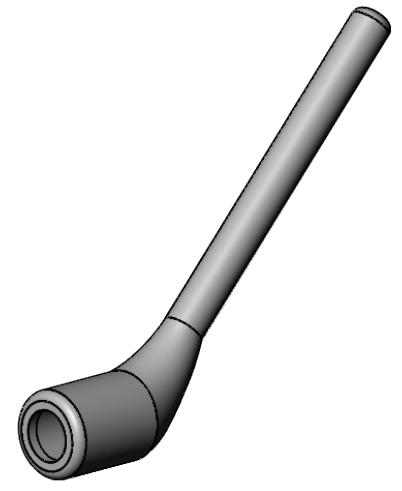
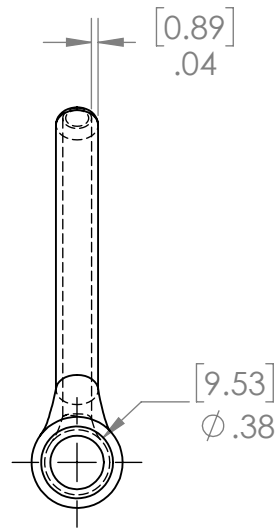
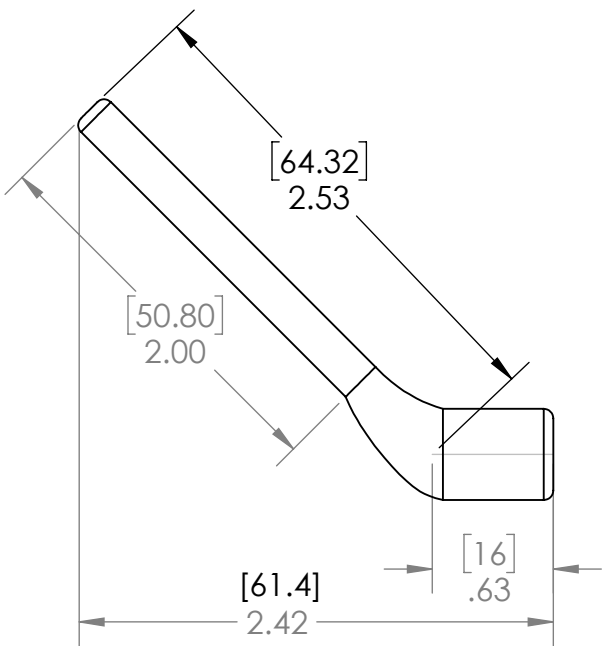
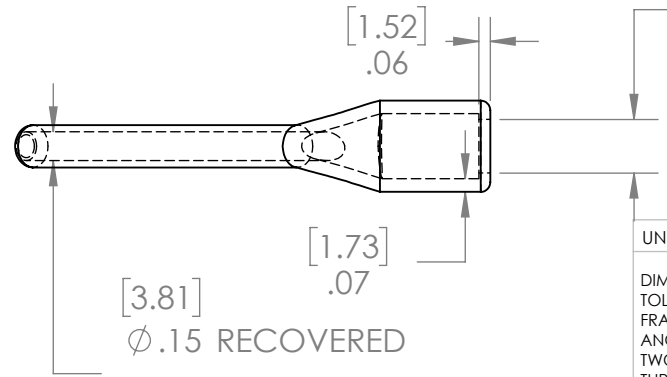


B



B

A



[7.09]
Ø .28 RECOVERED

[19.05]
Ø .75 EXPANDED

[19.05]
Ø .75 EXPANDED

NOTE: HOT MELT POLYAMIDE ADHESIVE LINED

UNLESS OTHERWISE SPECIFIED:	NAME	DATE
DIMENSIONS ARE IN INCHES	DRAWN	RB
TOLERANCES:	CHECKED	11-2019
FRACTIONAL ±	ENG APPR.	
ANGULAR: MACH ± BEND ±	MFG APPR.	
TWO PLACE DECIMAL ± .015	Q.A.	
THREE PLACE DECIMAL ± .010	COMMENTS:	
INTERPRET GEOMETRIC TOLERANCING PER:		
MATERIAL		
polyolefin		
FINISH		
DO NOT SCALE DRAWING		

TITLE:		
NU-TECH		
NUO-45L		
SIZE	DWG. NO.	REV
A		
SCALE: 1:1	SHEET 1 OF 1	

A

2

1

2

1