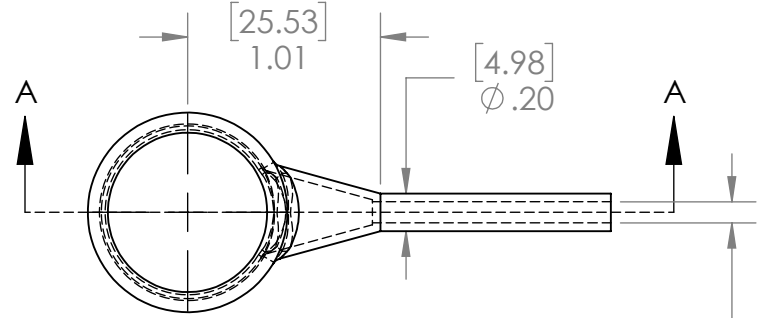
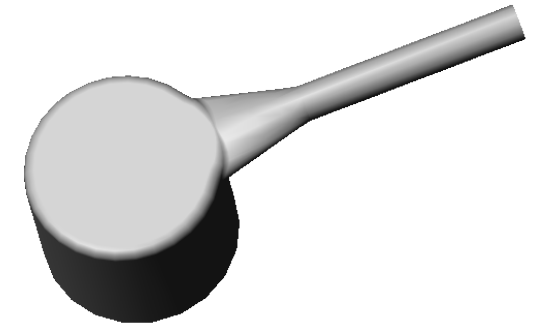
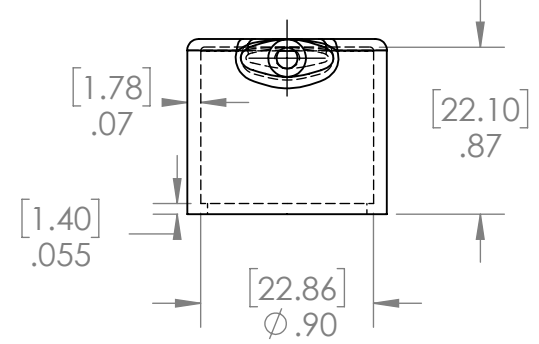
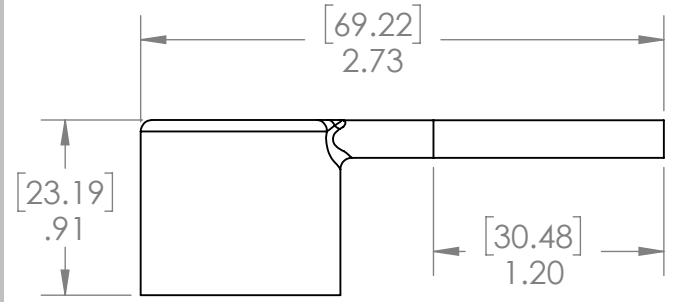


2

1

B

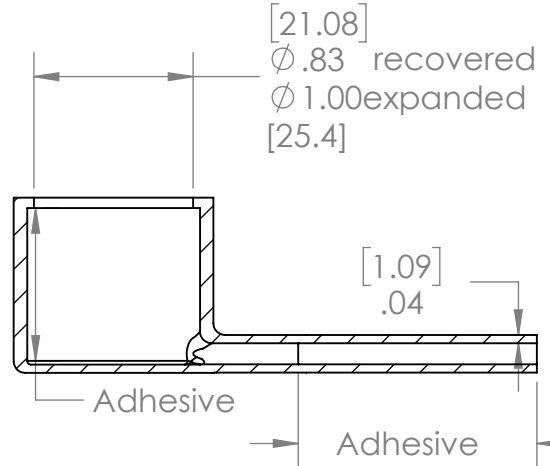
B



[2.79]
Ø.11 recovered
Ø.30 expanded
[7.62]

A

A



Note: use NUR-1LPNA for no Adhesive

UNLESS OTHERWISE SPECIFIED:		NAME	DATE	NU-TECH	
DIMENSIONS ARE IN INCHES		DRAWN	RB	2-2020	TITLE:
TOLERANCES:		CHECKED			NUR-1LP
FRACTIONAL ±		ENG APPR.			SIZE
ANGULAR: MACH ± BEND ±		MFG APPR.			DWG. NO.
TWO PLACE DECIMAL ± .03		Q.A.			REV
THREE PLACE DECIMAL ± .015		COMMENTS:		SCALE: 1:1	
INTERPRET GEOMETRIC TOLERANCING PER:		Adhesive: hot melt ADH		SHEET 1 OF 1	
MATERIAL					
POLYOLEFIN					
FINISH					
DO NOT SCALE DRAWING					

2

1