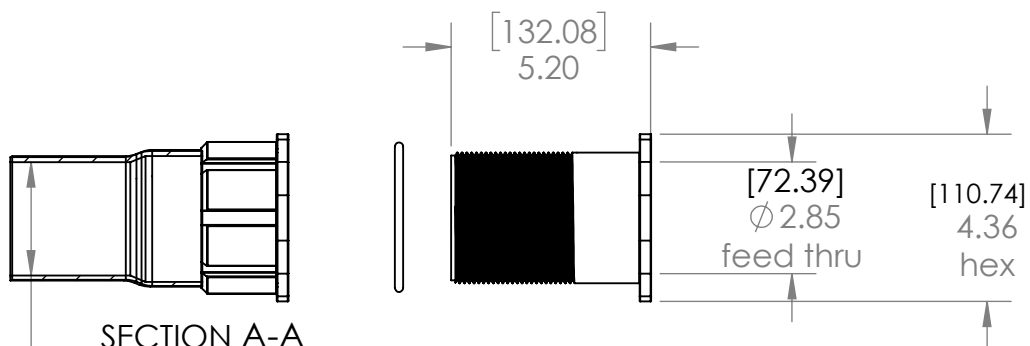
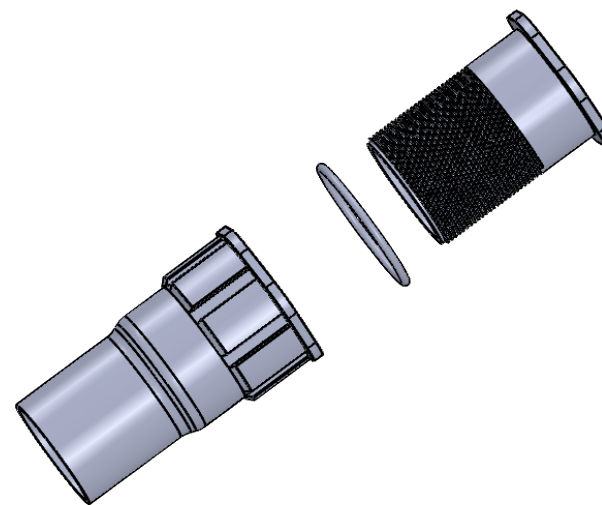
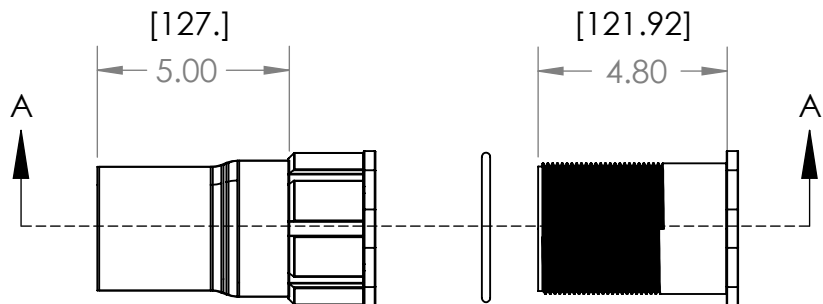


B

B



SECTION A-A

[73.66]
 Ø 2.9 expanded
 Ø 1.43 recovered
 [36.322]

UNLESS OTHERWISE SPECIFIED:

DIMENSIONS ARE IN INCHES
 TOLERANCES:
 FRACTIONAL ±
 ANGULAR: MACH ± BEND ±
 TWO PLACE DECIMAL ± .03
 THREE PLACE DECIMAL ± .03

INTERPRET GEOMETRIC
TOLERANCING PER:

MATERIAL

FINISH

DO NOT SCALE DRAWING

NAME DATE

DRAWN RB 9-2019

CHECKED

ENG APPR.

MFG APPR.

Q.A.

COMMENTS:

NU-TECH

TITLE:

NUS-5-4.8LN

SIZE

DWG. NO.

REV

A

SCALE: 1:5

SHEET 1 OF 1

A

2

1