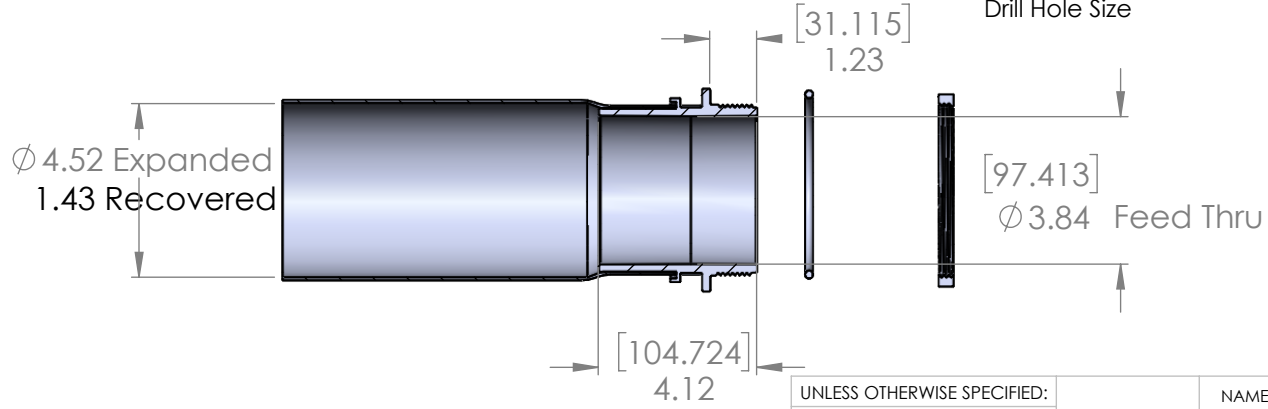
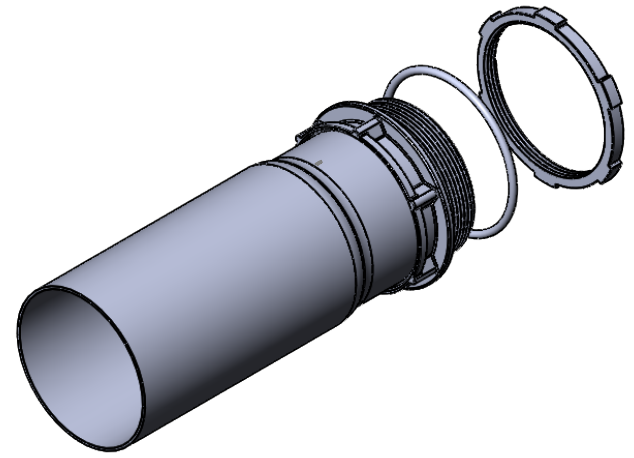
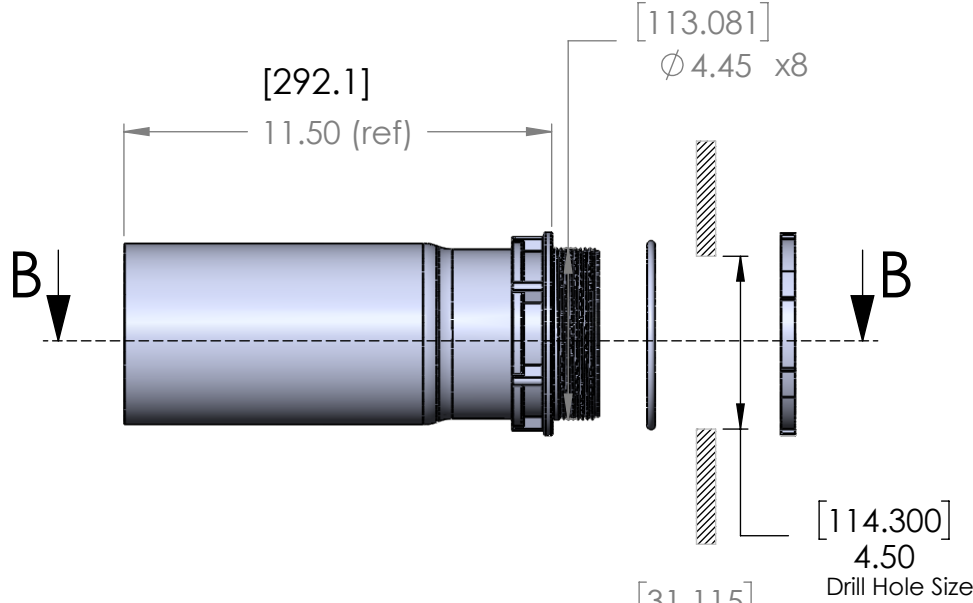


2

1

B

B



A

A

SECTION B-B
SCALE 1 : 5

| | | | |
|--------------------------------------|--|-----------|--------|
| UNLESS OTHERWISE SPECIFIED: | | NAME | DATE |
| DIMENSIONS ARE IN INCHES | | DRAWN | RB |
| TOLERANCES: | | CHECKED | 7-2018 |
| FRACTIONAL ± | | ENG APPR. | |
| ANGULAR: MACH ± BEND ± | | MFG APPR. | |
| TWO PLACE DECIMAL ±.015 | | Q.A. | |
| THREE PLACE DECIMAL ± | | COMMENTS: | |
| INTERPRET GEOMETRIC TOLERANCING PER: | | | |
| MATERIAL | | | |
| FINISH | | | |
| DO NOT SCALE DRAWING | | | |

| | | |
|----------------------|--------------|-----|
| NU-TECH | | |
| TITLE: | | |
| NUS-6X-1.0THD | | |
| SIZE | DWG. NO. | REV |
| A | | |
| SCALE: 1:10 | SHEET 1 OF 1 | |

2

1