

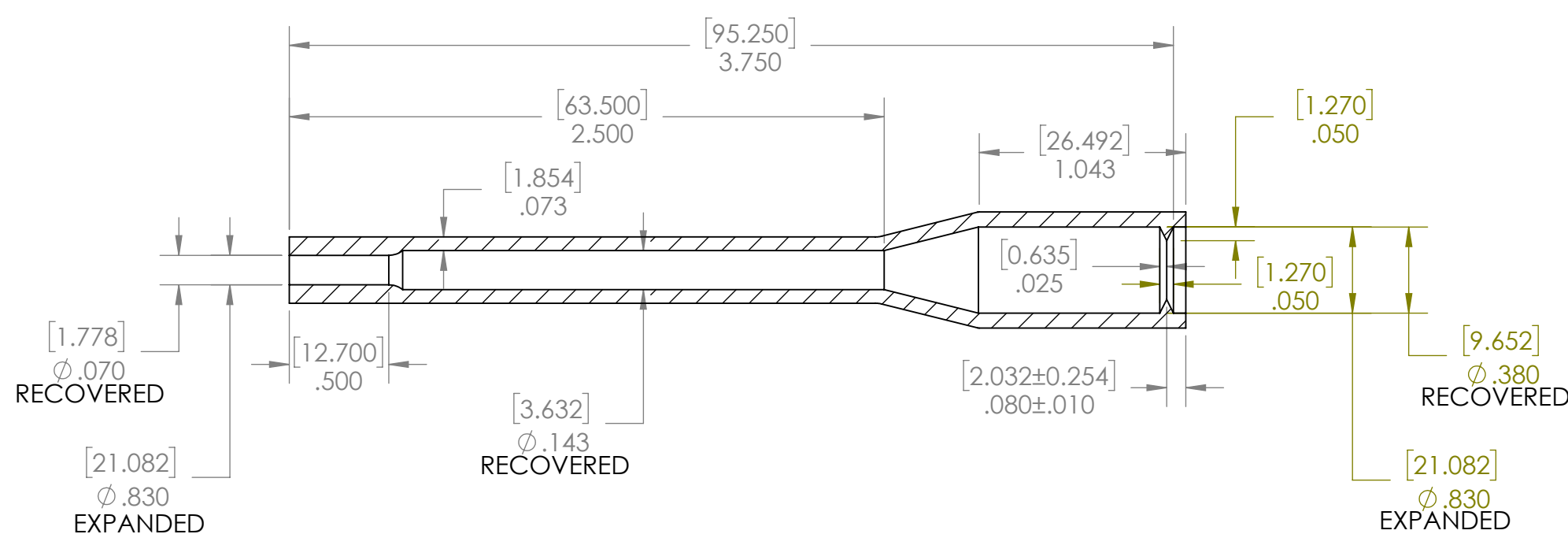
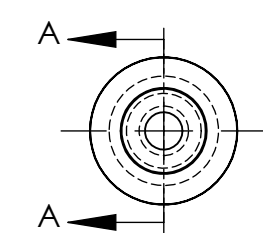
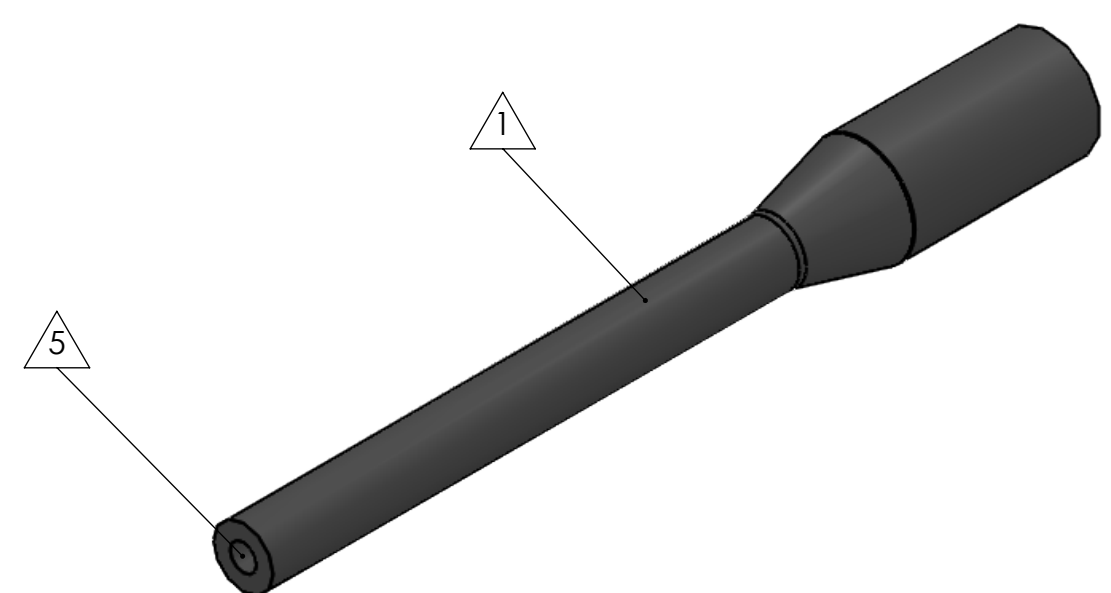
8 7 6 5 4 3 2 1

D

C

B

A



ITEM	PART DESCRIPTION	PART NO.	MATERIAL	Nu-Tech	
①	Heat-shrinkable boot		HS 3123		
				UNLESS OTHERWISE SPECIFIED: DIMENSIONS ARE IN INCHES TOLERANCES: FRACTIONAL ± 1/32 THREE PLACE DECIMAL ± 0.030	
				DWG. NO. KIDDE P/N: 476225	
⑤	Adhesive	A-010	Hotmelt ADH	DO NOT SCALE DRAWING	
				WEIGHT:	REV
				DRAWN: HH	DATE: 5/21/2021
				SCALE: 1:1	SHEET 1 OF 1

8 7 6 5 4 3 2 1